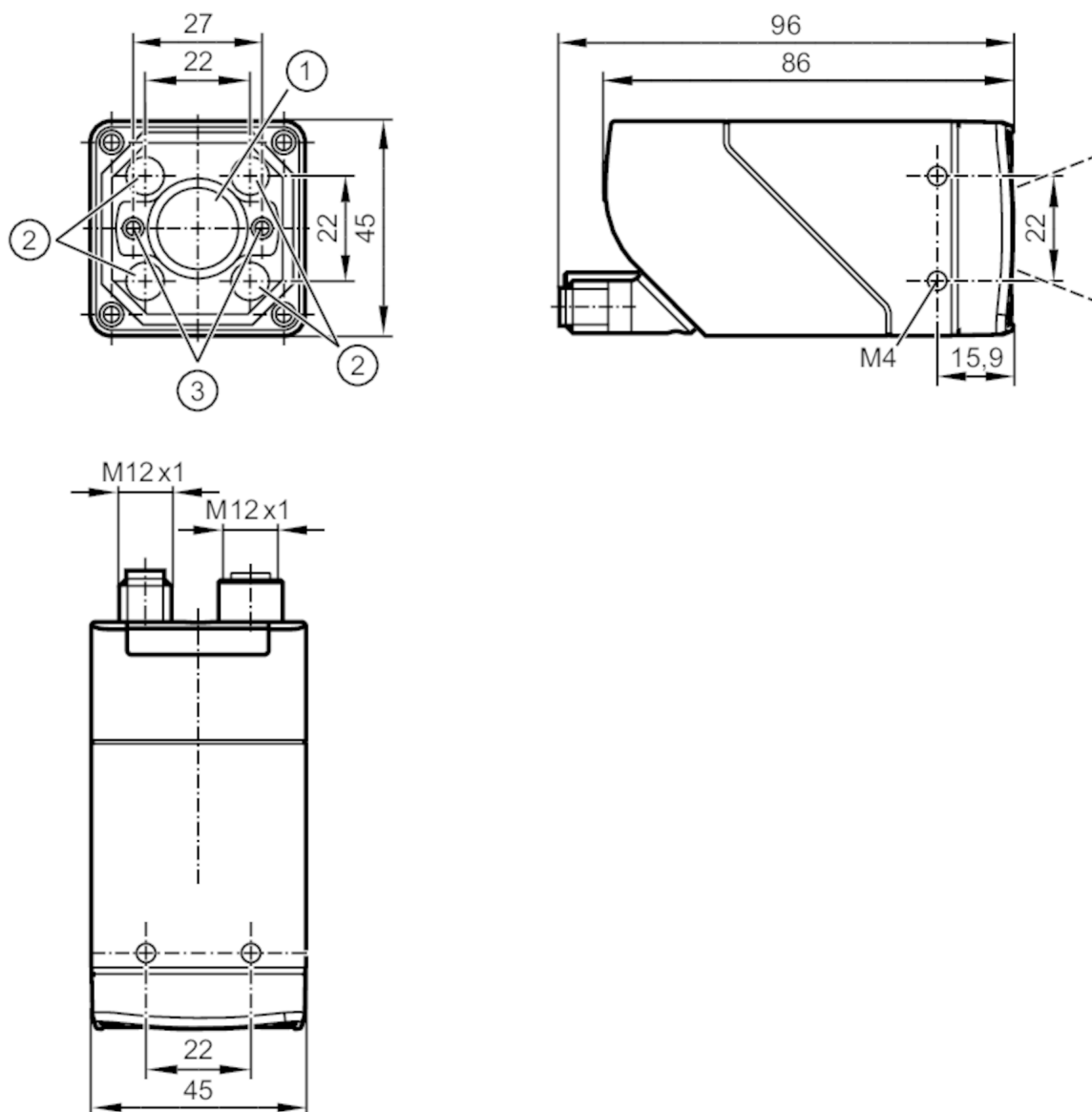


O2I513



1D/2D code readers

O2IIRDKG/E1/E4/EF/IVF/TB/W



- 1 lens
- 2 illumination unit
- 3 laser spots



Product characteristics

Type of light		infrared light
Image resolution	[px]	1280 x 960
Max. reading rate	[Hz]	40

Electrical data

Operating voltage	[V]	18...30 DC
Current consumption	[mA]	< 300; (24V DC typical)
Max. current consumption	[mA]	650; (18V DC, with switched outputs, memory stick active)
Protection class		III
Reverse polarity protection		yes

O2I513



1D/2D code readers

O2IIRDKG/E1/E4/EF/VF/TB/W

Type of light	infrared light		
Wave length [nm]	850		
Image sensor	CMOS image sensor black/white		
Inputs / outputs			
Number of inputs and outputs	Number of digital inputs: 1; Number of digital outputs: 2		
Inputs			
Trigger	external; 24 V PNP/NPN (IEC 61131-2 Typ 3); TCP/IP; PROFINET; internal		
Number of digital inputs	1		
Outputs			
Total number of outputs	2		
Electrical design	PNP/NPN; (parameterisable)		
Number of digital outputs	2; (configurable)		
Output function	configurable		
Max. voltage drop switching output DC [V]	1		
Max. current load per output [mA]	100		
Short-circuit protection	yes		
Type of short-circuit protection	pulsed		
Overload protection	yes		
Detection zone			
Field of view size [mm]	Operating distance	field of view	
	35	25 x 19	
	300	184 x 138	
	500	304 x 228	
	1000	604 x 453	
Operating distance [mm]	> 35		
Image resolution [px]	1280 x 960		
Lens type	Wide angle		
Readable codes	Interleaved 2-of-5; Industrial 2-of-5; Code 39; Code 93; Code 128; Pharmacode; Codabar; EAN8; EAN8 Add-On 2; EAN8 Add-On 5; EAN13; EAN13 Add-On 2; EAN13 Add-On 5; UPC-A; UPC-A Add-On 2; UPC-A Add-On 5; UPC-E; UPC-E Add-On 2; UPC-E Add-On 5; GS1 DataBar Omnidirectional; GS1 DataBar Truncated; GS1 DataBar Stacked; GS1 DataBar Stacked Omnidirectional; GS1 DataBar Limited; GS1 DataBar Expanded; GS1 DataBar Expanded Stacked; GS1 - 128; MSI Barcode; ECC200; PDF-417; QR; Micro-QR; Aztec Code; GS1 ECC200; GS1 QR Code; GS1 Aztec Code		
Code quality based on			ISO / IEC 15415
			ISO / IEC 15416
			AIM DPM
			ISO/IEC TR 29158
			SEMI T10
Legible fonts	Industrial; Document; OCR-A; OCR-B; Pharma; Semi; Universal; Dot Print		
Text recognition	yes		
Omnidirectional reading	yes		
Max. inclination to the image plane [°]	45		
Max. reading rate [Hz]	40		



1D/2D code readers

O2IIRDKG/E1/E4/EF/VF/TB/W

Software / programming		
Parameter setting options	teach button; via PC with ifm Vision Assistant	
Interfaces		
Communication interface	Ethernet	
Ethernet		
Number of Ethernet interfaces	1	
Transmission standard	10Base-T; 100Base-TX	
Transmission rate	10 MBit/s; 100 MBit/s	
Protocol	TCP/IP; PROFINET	
Factory settings	IP address: 192.168.0.69	
	subnet mask: 255.255.255.0 (Class C)	
	gateway IP address: 192.168.0.201	
	MAC address: see type label	
Usage type	parameter setting; data transmission	
Operating conditions		
Ambient temperature [°C]	-10...50	
Storage temperature [°C]	-40...70	
Max. relative air humidity [%]	90; (non condensing)	
Max. height above sea level [m]	4000	
Protection	IP 65	
Pollution degree	3	
Tests / approvals		
EMC	EN IEC 61000-6-4 radiation of interference	industrial environments
	EN IEC 61000-6-2 immunity	industrial environments
Shock resistance	EN 60068-2-27	50 g 11 ms / not repetitive
	EN 60068-2-27	40 g 6 ms / repetitive
Vibration resistance	EN 60068-2-6	2 g (10 ... 150 Hz)
Laser protection class	1	
Notes on laser protection	Caution:	laser light
	laser class:	1
		EN / IEC60825-1:2007
		EN / IEC60825-1:2014
		Complies with 21 CFR 1040.10 except for compliance with IEC 60825-1 Ed. 3, as described in Laser Notice No. 56 dated 8 May 2019.
Photobiological safety	exempt group; (EN 62471)	
Electrical protection	EN IEC 61010-2-201	electrical supply only via PELV circuits
Mechanical data		
Weight [g]	599.8	
Type of mounting	screw mounting; (bore hole M4 x 7 mm)	
Dimensions [mm]	45 x 45 x 96	
Materials	housing: diecast zinc powder-coated; front pane: Gorillaglas; LED window: PC; pushbutton: POM	
Sealing material	FKM	



1D/2D code readers

O2IIRDKG/E1/E4/EF/VF/TB/W

Tightening torque [Nm] 2.1

Displays / operating elements

Display	function	2 x LED, green
	function	2 x LED, yellow
	Teach-Funktion	1 x LED, green
	Teach-Funktion	1 x LED, yellow
Operating elements	1 x	Teach-Taste

Accessories

Accessories (optional)	Operating software
	Mounting accessories
	Adapter cable
	protective panes and filter panes

Remarks

Pack quantity 1 pcs.

Electrical connection

Electrical connection - Ethernet

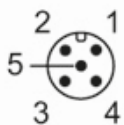
Connector: 1 x M12; coding: D; Moulded body: stainless steel; Sealing: FKM



1	TxD+
2	RxD+
3	TxD-
4	RxD-

Electrical connection - supply

Connector: 1 x M12; coding: A; Moulded body: stainless steel



1	U+
2	trigger input
3	0 V
4	switching output 1 configurable
5	switching output 2 configurable / trigger output with external illumination