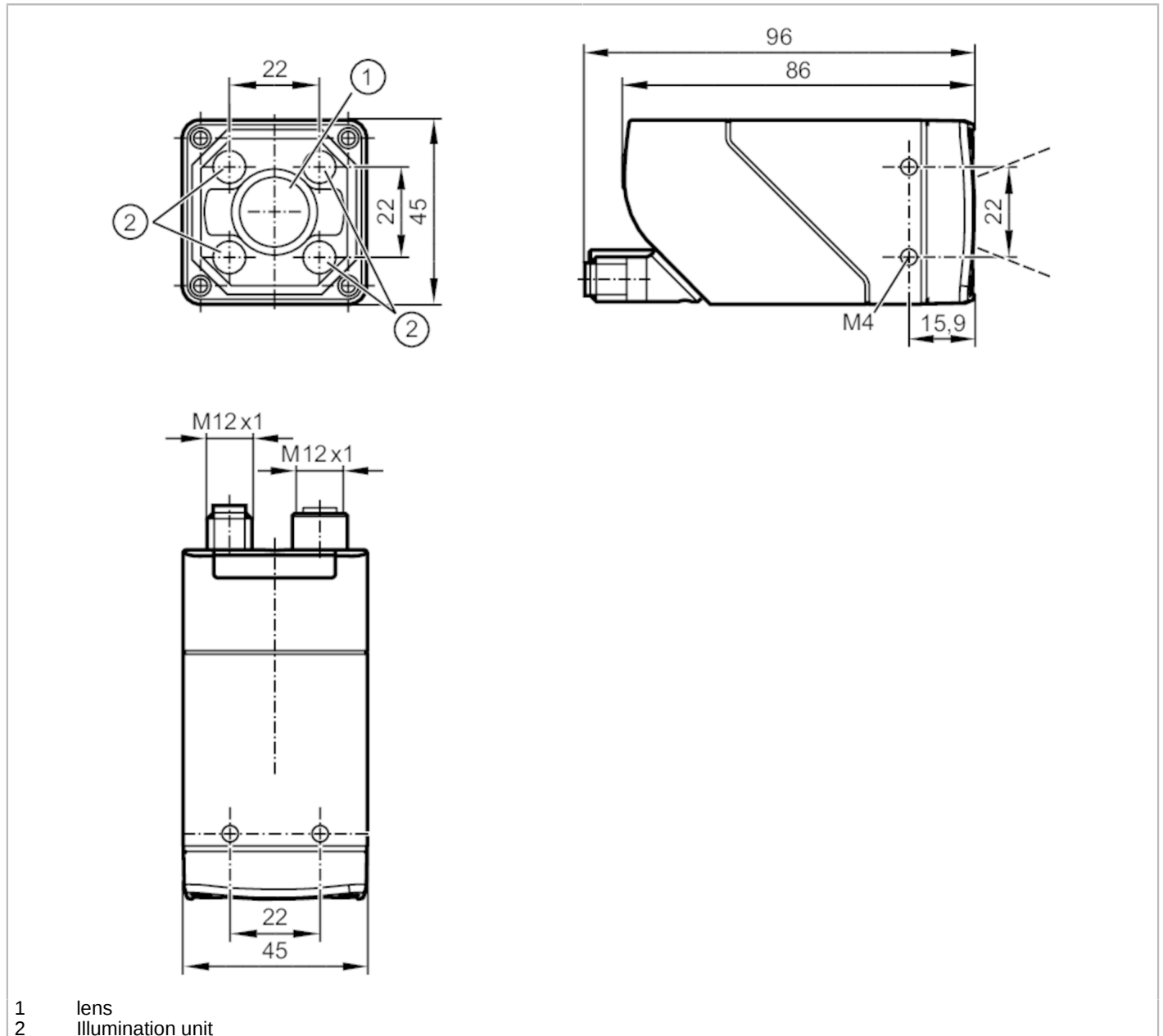


# O2D554



## Object recognition sensor

O2DIRDKG/E1/E4/EF/GMIT/10/5A



- 1 lens
- 2 illumination unit



Product characteristics	
Type of light	infrared light
Image resolution [px]	1280 x 960
Max. reading rate [Hz]	40
Electrical data	
Operating voltage [V]	18...30 DC
Current consumption [mA]	< 300; (24V DC typical)
Max. current consumption [mA]	650; (18V DC, with switched outputs, memory stick active)
Protection class	III
Reverse polarity protection	yes
Type of light	infrared light

# O2D554



## Object recognition sensor

O2DIRDKG/E1/E4/EF/GMIT/10/5A

Wave length [nm]	850
Image sensor	CMOS image sensor black/white

### Inputs / outputs

Number of inputs and outputs	Number of digital inputs: 1; Number of digital outputs: 2
------------------------------	---

### Inputs

Trigger	external; 24 V PNP/NPN (IEC 61131-2 Typ 3); TCP/IP; PROFINET; internal
Number of digital inputs	1

### Outputs

Electrical design	PNP/NPN; (parameterisable)
Number of digital outputs	2; (configurable)
Output function	configurable
Max. voltage drop switching output DC [V]	1
Max. current load per output [mA]	100
Short-circuit protection	yes
Type of short-circuit protection	pulsed
Overload protection	yes

### Detection zone

Field of view size [mm]	Operating distance	field of view		
	200	38 x 29		
	300	58 x 43		
	500	96 x 72		
	1000	192 x 144		
	1500	288 x 216		
	2000	384 x 288		
	5000	960 x 720		
Operating distance [mm]	> 200			
Image resolution [px]	1280 x 960			
Lens type	Telephoto lens			
Max. reading rate [Hz]	40			

### Software / programming

Parameter setting options	via PC with ifm Vision Assistant
---------------------------	----------------------------------

### Interfaces

Communication interface	Ethernet
-------------------------	----------

### Ethernet

Number of Ethernet interfaces	1
Transmission standard	10Base-T; 100Base-TX
Transmission rate	10 MBit/s; 100 MBit/s
Protocol	TCP/IP; PROFINET
Factory settings	IP address: 192.168.0.69
	subnet mask: 255.255.255.0 (Class C)
	gateway IP address: 192.168.0.201
	MAC address: see type label

# O2D554



## Object recognition sensor

O2DIRDKG/E1/E4/EF/GMIT/10/5A

Usage type	parameter setting; data transmission	
<b>Operating conditions</b>		
Ambient temperature [°C]	-10...50	
Storage temperature [°C]	-40...70	
Max. relative air humidity [%]	90; (non condensing)	
Max. height above sea level [m]	4000	
Protection	IP 65	
Pollution degree	3	
<b>Tests / approvals</b>		
EMC	EN IEC 61000-6-4 radiation of interference	industrial environments
	EN IEC 61000-6-2 immunity	industrial environments
Shock resistance	EN 60068-2-27	50 g 11 ms / not repetitive
	EN 60068-2-27	40 g 6 ms / repetitive
Vibration resistance	EN 60068-2-6	2 g (10 ... 150 Hz)
Photobiological safety	exempt group; (EN 62471)	
Electrical protection	EN IEC 61010-2-201	electrical supply only via PELV circuits
<b>Mechanical data</b>		
Weight [g]	695.5	
Type of mounting	screw mounting; (bore hole M4 x 7mm)	
Dimensions [mm]	45 x 45 x 86	
Materials	housing: diecast zinc powder-coated; front pane: Gorillaglas; LED window: PC; pushbutton: POM	
Sealing material	FKM	
Tightening torque [Nm]	2.1	
<b>Displays / operating elements</b>		
Display	function	2 x LED, green
	function	2 x LED, yellow
	Multi-function button	2 x LED, green/yellow
Operating elements	1	Multi-function button
<b>Accessories</b>		
Accessories (optional)	Mounting accessories	
	Protective panes	
<b>Remarks</b>		
Pack quantity	1 pcs.	

# O2D554



## Object recognition sensor

O2DIRDKG/E1/E4/EF/GMIT/10/5A

### Electrical connection - Ethernet

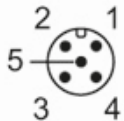
Connector: 1 x M12; coding: D; Moulded body: stainless steel; Sealing: FKM



1	TxD+
2	RxD+
3	TxD-
4	RxD-

### Electrical connection - supply

Connector: 1 x M12; coding: A; Moulded body: stainless steel



1	U+
2	trigger input
3	0 V
4	switching output 1 configurable
5	switching output 2 configurable / trigger output with external illumination