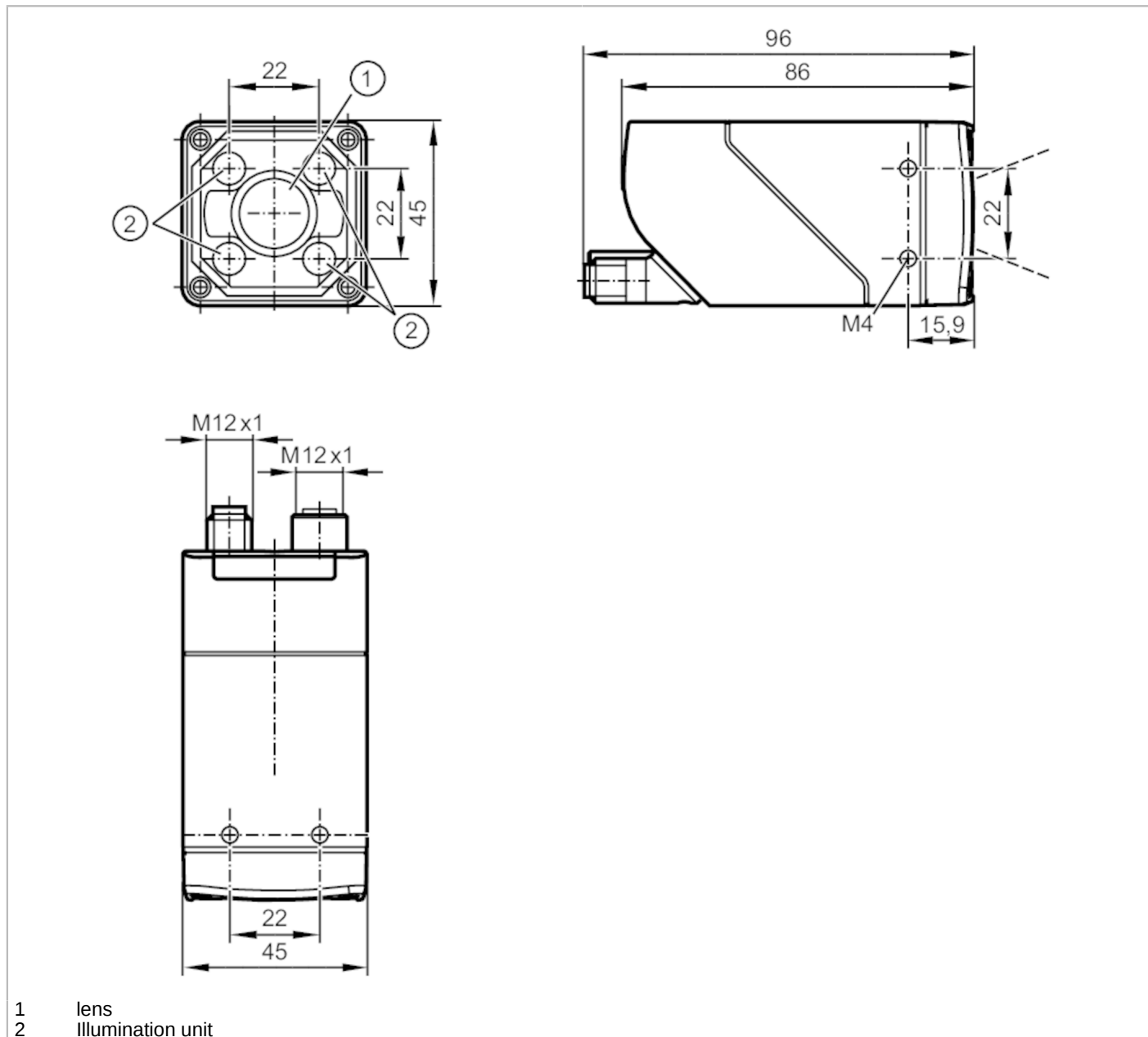


# O2D522



## Object recognition sensor

O2DIRDKG/E1/E2/EF/GM/TB/W/30



- 1 lens
- 2 illumination unit



Product characteristics	
Type of light	infrared light
Image resolution [px]	1280 x 960
Max. reading rate [Hz]	40
Electrical data	
Operating voltage [V]	18...30 DC
Current consumption [mA]	< 300; (24V DC typical)
Max. current consumption [mA]	950; (18V DC, with switched outputs, memory stick active)
Protection class	III
Reverse polarity protection	yes
Type of light	infrared light

# O2D522



## Object recognition sensor

O2DIRDKG/E1/E2/EF/GM/TB/W/30

Wave length	[nm]	850
Image sensor		CMOS image sensor black/white

### Inputs / outputs

Number of inputs and outputs		Number of digital inputs: 3; Number of digital outputs: 5
------------------------------	--	---

### Inputs

Trigger		external; 24 V PNP/NPN (IEC 61131-2 Typ 3); TCP/IP; EtherNet/IP; internal
Number of digital inputs		3
Input circuit of digital inputs		24 V PNP/NPN; (type 3 (IEC 61131-2))

### Outputs

Electrical design		PNP/NPN; (parameterisable)
Number of digital outputs		5; (configurable)
Output function		configurable
Max. voltage drop switching output DC	[V]	1
Max. current load per output	[mA]	100
Short-circuit protection		yes
Type of short-circuit protection		pulsed
Overload protection		yes

### Detection zone

Field of view size	[mm]	Operating distance	field of view		
		35	25 x 19		
		300	184 x 138		
		500	304 x 228		
		1000	604 x 453		
		1500	904 x 678		
		2000	1204 x 903		
		2500	1504 x 1128		
Operating distance	[mm]	> 35			
Image resolution	[px]	1280 x 960			
Lens type		Wide angle			
Max. reading rate	[Hz]	40			

### Software / programming

Parameter setting options		via PC with ifm Vision Assistant
---------------------------	--	----------------------------------

### Interfaces

Communication interface		Ethernet
Ethernet		
Number of Ethernet interfaces		1
Transmission standard		10Base-T; 100Base-TX
Transmission rate		10 MBit/s; 100 MBit/s
Protocol		TCP/IP; EtherNet/IP

# O2D522



## Object recognition sensor

O2DIRDKG/E1/E2/EF/GM/TB/W/30

Factory settings	IP address: 192.168.0.69
	subnet mask: 255.255.255.0 (Class C)
	gateway IP address: 192.168.0.201
	MAC address: see type label
Usage type	parameter setting; data transmission

### Operating conditions

Ambient temperature	[°C]	-10...50
Storage temperature	[°C]	-40...70
Max. relative air humidity	[%]	90; (non condensing)
Max. height above sea level	[m]	4000
Protection		IP 65
Pollution degree		3

### Tests / approvals

EMC	EN IEC 61000-6-4 radiation of interference	industrial environments
	EN IEC 61000-6-2 immunity	industrial environments
Shock resistance	EN 60068-2-27	50 g 11 ms / not repetitive
	EN 60068-2-27	40 g 6 ms / repetitive
Vibration resistance	EN 60068-2-6	2 g (10 ... 150 Hz)
Photobiological safety		exempt group; (EN 62471)
Electrical protection	EN IEC 61010-2-201	electrical supply only via PELV circuits

### Mechanical data

Weight	[g]	619.4
Type of mounting		screw mounting; (bore hole M4 x 7mm)
Dimensions	[mm]	45 x 45 x 86
Materials		housing: diecast zinc powder-coated; front pane: Gorillaglas; LED window: PC; pushbutton: POM
Sealing material		FKM
Tightening torque	[Nm]	2.1

### Displays / operating elements

Display	function	2 x LED, green
	function	2 x LED, yellow
	Multi-function button	2 x LED, green/yellow
Operating elements	1	Multi-function button

### Accessories

Accessories (optional)	Mounting accessories
	Protective panes

### Remarks

Pack quantity	1 pcs.
---------------	--------

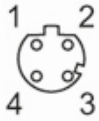


## Object recognition sensor

O2DIRDKG/E1/E2/EF/GM/TB/W/30

### Electrical connection - Ethernet

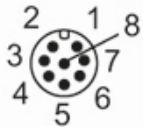
Connector: 1 x M12; coding: D; Moulded body: stainless steel; Sealing: FKM



1	TxD+
2	RxD+
3	TxD-
4	RxD-
	screen connected

### Electrical connection - supply

Connector: 1 x M12; coding: A; Moulded body: stainless steel



1	24 V DC
2	trigger input
3	GND
4	switching output OUT5
5	switching output OUT3 Ready
6	switching output OUT4
7	switching output OUT1 / IN1
8	switching output OUT2 / IN2