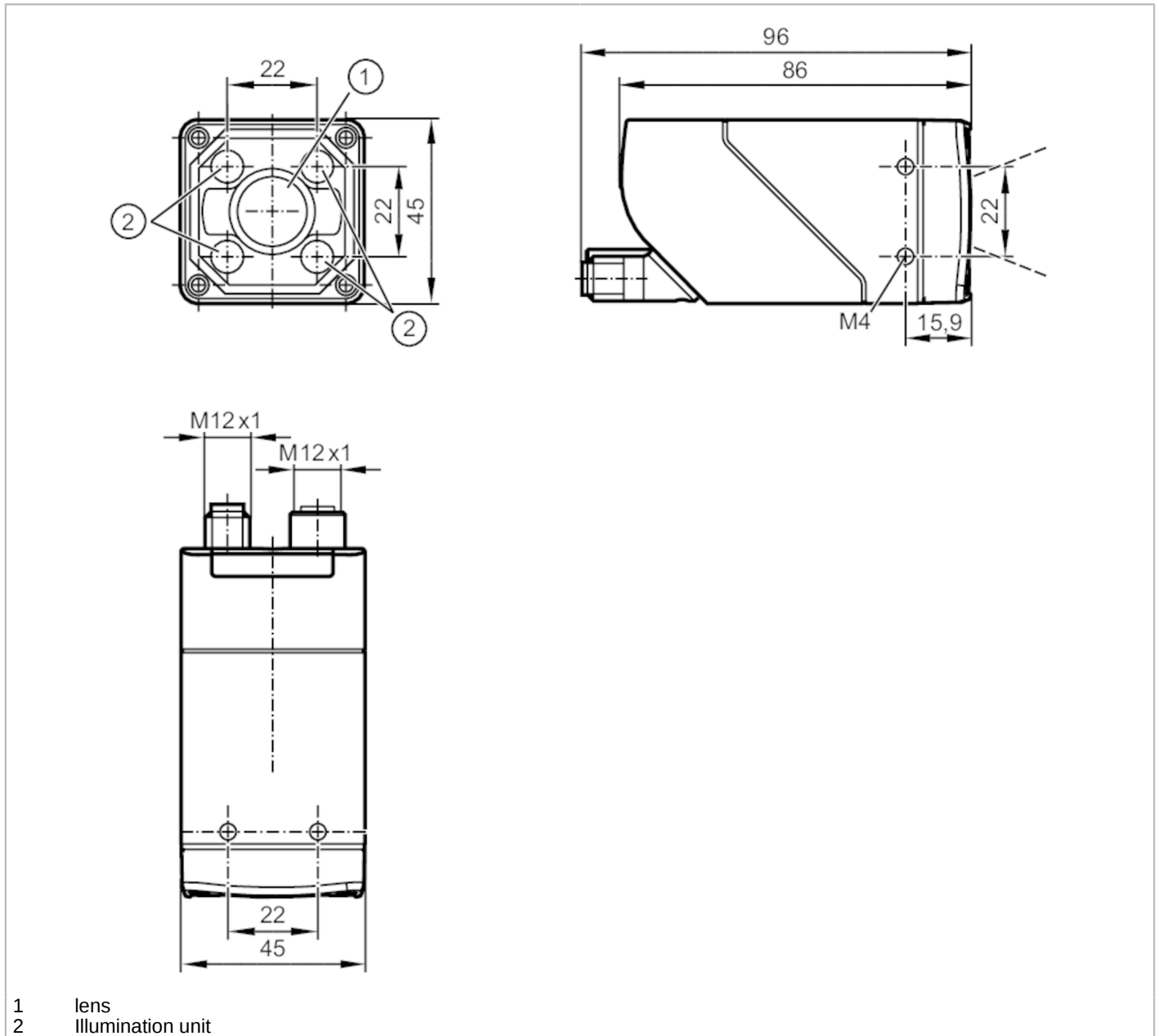


# O2D500



## Object recognition sensor

O2DCRDKG/E1/E2/EF/GM/TB/S/16



- 1 lens
- 2 illumination unit



Product characteristics		
Type of light		RGBW
Image resolution	[px]	1280 x 960
Max. reading rate	[Hz]	40
Application		
Special feature		polarisation filter
Electrical data		
Operating voltage	[V]	18...30 DC
Current consumption	[mA]	< 300; (24V DC typical)
Max. current consumption	[mA]	1100; (18V DC, with switched outputs, memory stick active)
Protection class		III

# O2D500



## Object recognition sensor

O2DCRDKG/E1/E2/EF/GM/TB/S/16

Reverse polarity protection	yes
Type of light	RGBW
Wave length [nm]	625; 525; 453
Image sensor	CMOS image sensor black/white

### Inputs / outputs

Number of inputs and outputs	Number of digital inputs: 3; Number of digital outputs: 5
------------------------------	---

### Inputs

Trigger	external; 24 V PNP/NPN (IEC 61131-2 Typ 3); TCP/IP; EtherNet/IP; internal
Number of digital inputs	3
Input circuit of digital inputs	24 V PNP/NPN; (type 3 (IEC 61131-2))

### Outputs

Electrical design	PNP/NPN; (parameterisable)
Number of digital outputs	5; (configurable)
Output function	configurable
Max. voltage drop switching output DC [V]	1
Max. current load per output [mA]	100
Short-circuit protection	yes
Type of short-circuit protection	pulsed
Overload protection	yes

### Detection zone

Field of view size [mm]	Operating distance	field of view		
	85	28 x 21		
	300	92 x 69		
	500	152 x 114		
	1000	302 x 227		
	1500	453 x 340		
	2000	603 x 452		
	2500	753 x 564		
Operating distance [mm]		> 85		
Image resolution [px]		1280 x 960		
Lens type		standard		
Polarisation filter available		yes		
Max. reading rate [Hz]		40		

### Software / programming

Parameter setting options	via PC with ifm Vision Assistant
---------------------------	----------------------------------

### Interfaces

Communication interface	Ethernet
Ethernet	
Number of Ethernet interfaces	1
Transmission standard	10Base-T; 100Base-TX
Transmission rate	10 MBit/s; 100 MBit/s
Protocol	TCP/IP; EtherNet/IP

# O2D500



## Object recognition sensor

O2DCRDKG/E1/E2/EF/GM/TB/S/16

Factory settings	IP address: 192.168.0.69
	subnet mask: 255.255.255.0 (Class C)
	gateway IP address: 192.168.0.201
	MAC address: see type label
Usage type	parameter setting; data transmission

### Operating conditions

Ambient temperature	[°C]	-10...50
Storage temperature	[°C]	-40...70
Max. relative air humidity	[%]	90; (non condensing)
Max. height above sea level	[m]	4000
Protection		IP 65
Pollution degree		3

### Tests / approvals

EMC	EN IEC 61000-6-4 radiation of interference	industrial environments
	EN IEC 61000-6-2 immunity	industrial environments
Shock resistance	EN 60068-2-27	50 g 11 ms / not repetitive
	EN 60068-2-27	40 g 6 ms / repetitive
Vibration resistance	EN 60068-2-6	2 g (10 ... 150 Hz)
Photobiological safety		risk group 1; (EN 62471)
Electrical protection	EN IEC 61010-2-201	electrical supply only via PELV circuits

### Mechanical data

Weight	[g]	620.1
Type of mounting		screw mounting; (bore hole M4 x 7mm)
Dimensions	[mm]	45 x 45 x 86
Materials		housing: diecast zinc powder-coated; front pane: Gorillaglas; LED window: PC; pushbutton: POM
Sealing material		FKM
Tightening torque	[Nm]	2.1

### Displays / operating elements

Display	function	2 x LED, green
	function	2 x LED, yellow
	Multi-function button	2 x LED, green/yellow
Operating elements	1	Multi-function button

### Accessories

Accessories (optional)	Mounting accessories
	Protective panes

### Remarks

Pack quantity	1 pcs.
---------------	--------

# O2D500

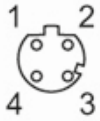


## Object recognition sensor

O2DCRDKG/E1/E2/EF/GM/TB/S/16

### Electrical connection - Ethernet

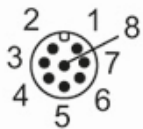
Connector: 1 x M12; coding: D; Moulded body: stainless steel; Sealing: FKM



1	TxD+
2	RxD+
3	TxD-
4	RxD-
	screen connected

### Electrical connection - supply

Connector: 1 x M12; coding: A; Moulded body: stainless steel



1	24 V DC
2	trigger input
3	GND
4	switching output OUT5
5	switching output OUT3 Ready
6	switching output OUT4
7	switching output OUT1 / IN1
8	switching output OUT2 / IN2