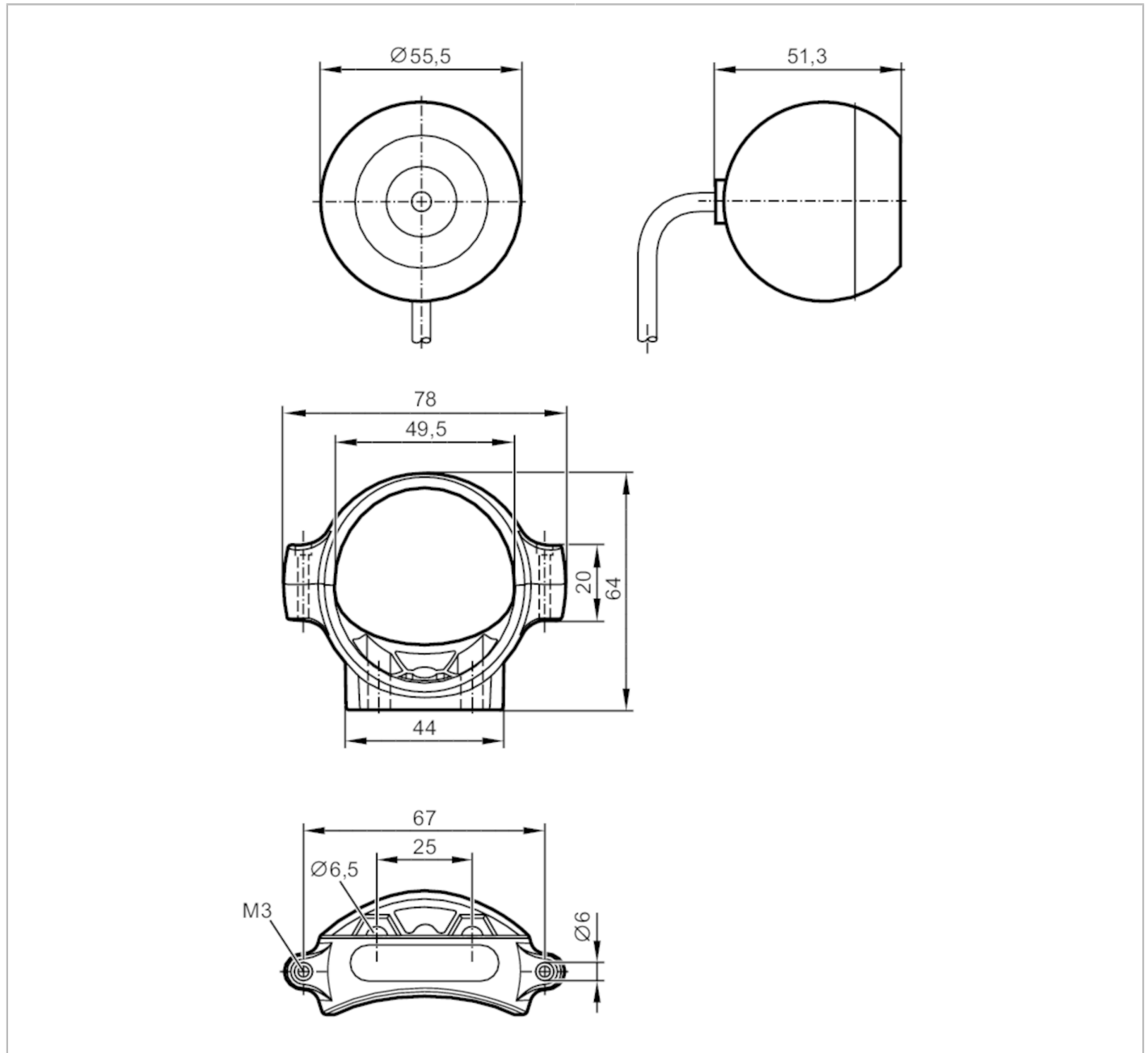


O2M201



Analogue camera for mobile machines

O2MXOOKGIA1/GM/78/M



Product characteristics

Image resolution	[px]	640 x 480
Angle of aperture	[°]	80 x 59

Application

Special feature	Screened cable
Application	Integrated mirror function

Electrical data

Operating voltage	[V]	12...32 DC
Current consumption	[mA]	< 280; (with lens heating)
Overvoltage protection		yes

O2M201



Analogue camera for mobile machines

O2MXOOKG/A1/GM/78/M

Image sensor	¼" 4:3 VGA CMOS image sensor Color		
Switch-on peak current [mA]	1000		
Switch-on peak current duration [ms]	2		
Outputs			
Video output	PAL (25 fps interlace) 720H x 576V (640 x 480), 1 Vtt / 75 Ω		
Detection zone			
Field of view size [mm]	Operating distance	field of view	
	1000	1680 x 1130	
	2000	3360 x 2260	
	3000	5030 x 3390	
	4000	6710 x 4530	
	5000	8390 x 5660	
Image resolution [px]	640 x 480		
Angle of aperture [°]	80 x 59		
Light sensitivity [LUX]	< 0.05		
Dynamic range [dB]	> 80		
Operating conditions			
Ambient temperature [°C]	-40...85		
Storage temperature [°C]	-40...100		
Protection	IP 67; IP 69K		
Tests / approvals			
EMC	DIN EN 61000-6-4	industrial environments	
	DIN EN 61000-6-2	industrial environments	
	UN-ECE R10		
Shock resistance	50 g		
Vibration resistance	Frequency range 24...2000 Hz	(15.3 x 9.81 m/s ²)rms	
	PSD (g ² /Hz)	0.04...0.1	
Salt spray test	IEC 60068-5-52		
Mechanical data			
Weight [g]	313		
Dimensions [mm]	Ø 55.5 / L = 51.3		
Materials	housing: PC/ABS; front lens: polyamide glass fibre reinforced		
Accessories			
Items supplied	Mounting set:, E2M210		
	screws: 2 x M6 x 20		
	washers		
	Nuts: 2 x M6, self-locking		
	anti-slide pad		
Remarks			
Pack quantity	1 pcs.		

O2M201



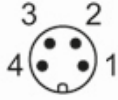
Analogue camera for mobile machines

O2MXOOKG/A1/GM/78/M

Electrical connection

Cable: 0.5 m, shielded; screen connected

Connector: 1 x M16; coding: A; Shielded connection cable: true



1	coax cable core video signal
2	coax screen video GND
3	U+
4	0 V