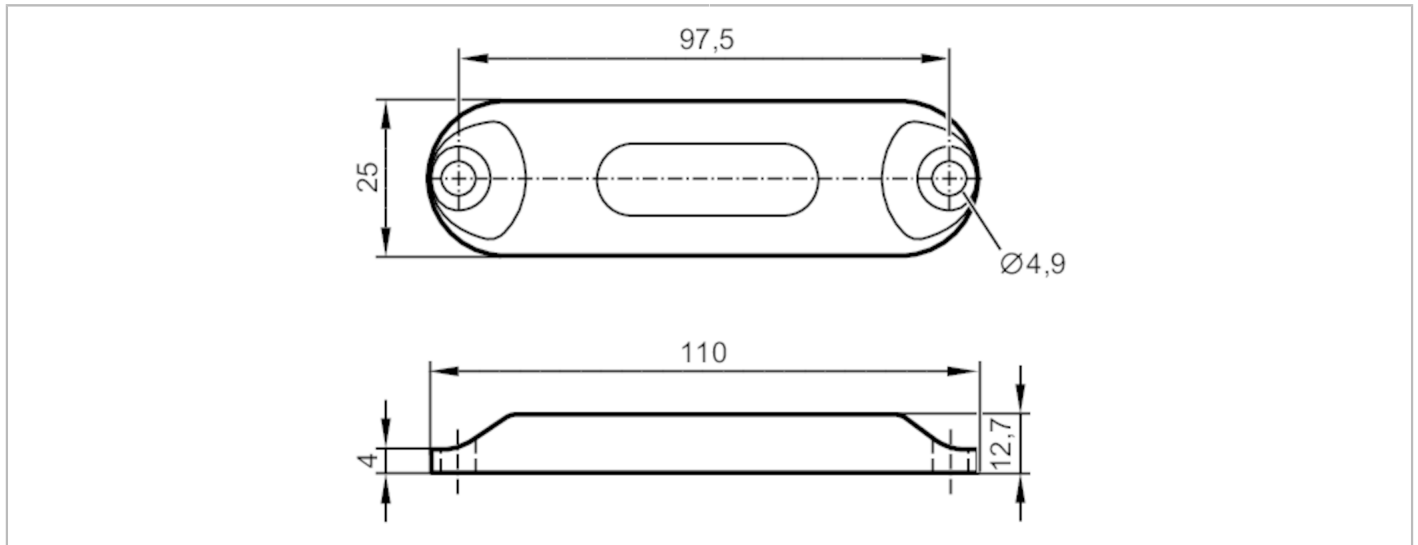


E80413



RFID tag

ID-TAG/110X25x12,7/04



Application	
Application	RFID coding of metal tanks
Electrical data	
Operating frequency [MHz]	860...930
Memory size [bit]	512
Memory type	EEPROM
Chip type	Impinj Monza 4QT
Tag identifier (TID) [Byte]	8
Electronic product code (EPC)	128 bit
RFID standard	EPC Class1 GEN2/ISO 18000-6C
Max. read cycles	unlimited
Max. write cycles	100000
Operating conditions	
Ambient temperature [°C]	-40...85
Storage temperature [°C]	-40...85
Protection	IP 68
Mechanical data	
Weight [g]	93.7
Dimensions [mm]	110 x 25 x 12.9
Materials	housing: polycarbonate-ABS
Remarks	
Pack quantity	5 pcs.

E80413



RFID tag

ID-TAG/110X25x12,7/04

Other data

read distance (m)

DTE80x	0.8
DTE90x	1
ANT860 / ANT960	4
ANT820 / ANT920	1