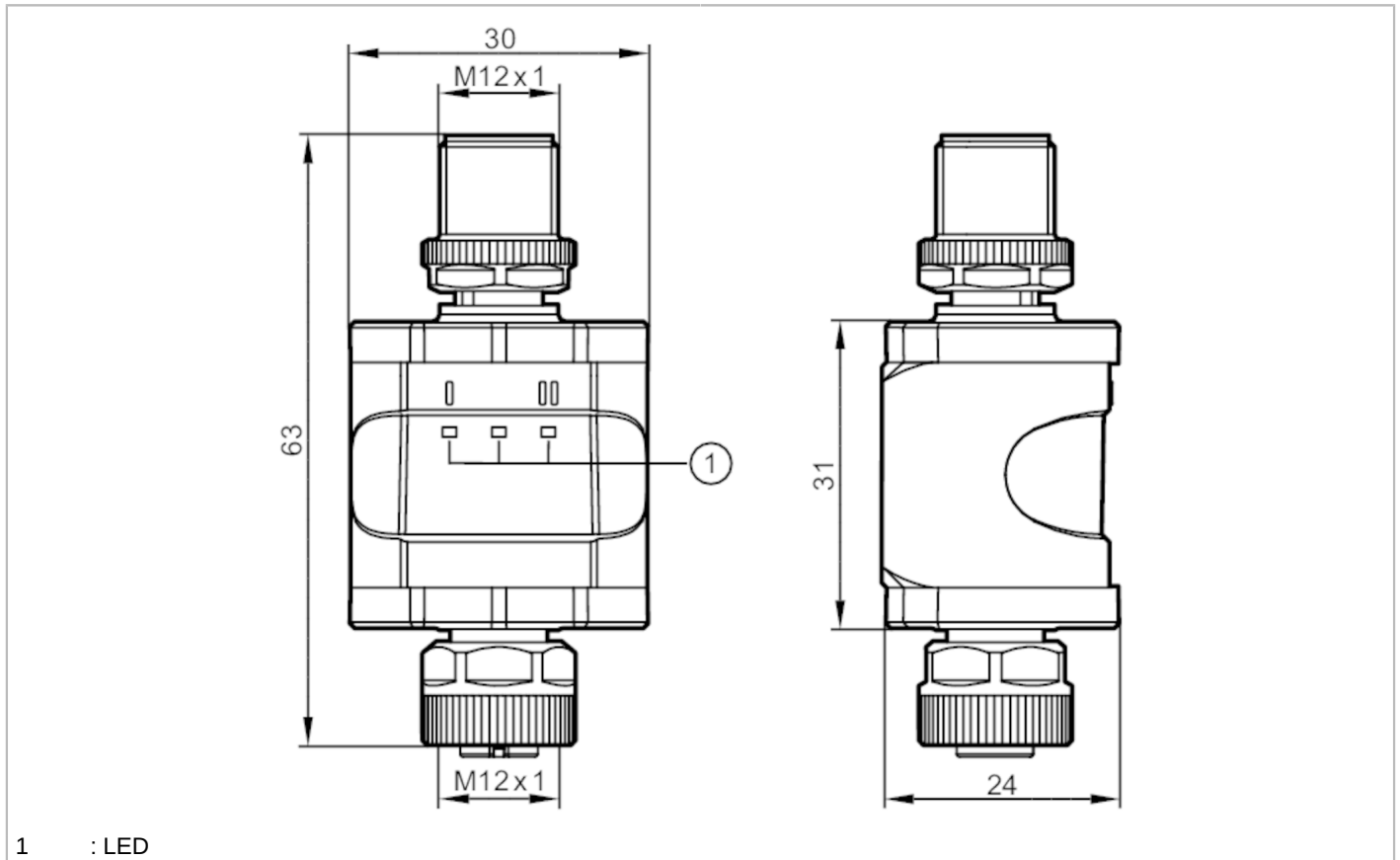


E43410



IO-Link data splitter

IO-LINK DATA SPLITTER NPN



Product characteristics	
Number of inputs and outputs	Number of digital outputs: 1
Application	
Special feature	Gold-plated contacts
Application	for retrofitting of existing IO-Link systems; for systems without IO-Link capabilities
Electrical data	
Operating voltage [V]	18...30 DC; (on the master side; on the controller / system: 20...30 DC)
Nominal voltage DC [V]	24
Current consumption [mA]	< 17; (both sides)
Protection class	III
Reverse polarity protection	yes; (on the master side)
Power-on delay time [s]	< 2; (for communication; response time switching signal: response time device plus IO-Link process cycle time)
Inputs / outputs	
Total number of inputs and outputs	1; (on the controller / system)
Number of inputs and outputs	Number of digital outputs: 1
Outputs	
Output signal	switching signal; IO-Link
Electrical design	NPN
Number of digital outputs	1

E43410



IO-Link data splitter

IO-LINK DATA SPLITTER NPN

Output function		normally open / normally closed
Max. voltage drop switching output DC	[V]	2.5
Permanent current rating of switching output DC	[mA]	200
Type of short-circuit protection		pulsed
Short-circuit proof		yes
Overload protection		yes

Interfaces

Communication interface	IO-Link	
Supported DeviceIDs	Type of operation	DeviceID
	default	1107

IO-Link Device		
Note on interfaces	connection to IO-Link masters	
Unterstützte Masterportklasse	A	
Transmission type	COM2 (38,4 kBaud)	
IO-Link revision	1.1	
SDCI standard	IEC 61131-9	
Profiles	Identification and Diagnosis (0x4000)	
SIO mode	yes	
Min. process cycle time	[ms]	4.2

IO-Link Master		
Note on interfaces	connection to IO-Link devices	
Unterstützte Masterportklasse	A / B	
Transmission type	COM1 (4,8 kBaud); COM2 (38,4 kBaud); COM3 (230,4 kBaud)	
IO-Link revision	1.0; 1.1	
SDCI standard	IEC 61131-9	

Operating conditions

Ambient temperature	[°C]	-25...60
Storage temperature	[°C]	-25...70
Protection		IP 67

Tests / approvals

EMC	DIN EN 61000-6-2	
	DIN EN 61000-6-4	in plastic or open metal tanks
Shock resistance	DIN EN 60068-2-27	15 g (6 ms)
Vibration resistance	DIN EN 60068-2-6	2 g (10...150 Hz)
MTTF	[years]	307
UL approval	File number UL	E205959

Mechanical data

Weight	[g]	89
Materials	stainless steel (316L/1.4404); brass (2.0401); PBT; PA; Sealing: FKM;	

E43410



IO-Link data splitter

IO-LINK DATA SPLITTER NPN

Displays / operating elements		
Display	switching output	1 x LED, yellow
	operation	1 x LED, green
	IO-Link	1 x LED, yellow
Accessories		
Accessory required	Y connection cable 1, EVC843	
Remarks		
Remarks	For information on the maximum cable length please refer to the operating instructions. To ensure the function according to technical datasheet and operating instructions the use of the following article is imperative: EVC843	
Pack quantity	1 pcs.	

Electrical connection

Electrical connection - plug

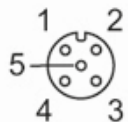
Connector: 1 x M12; coding: A; Contacts: gold-plated



1	L+
2	NC
3	L-
4	C: IO-Link

Electrical connection - socket

Connector: 1 x M12; coding: A; Contacts: gold-plated



1	L+
2	C/Q: IO-Link Master
3	L-
4	OUT1: switching output or IO-Link
5	NC

E43410



IO-Link data splitter

IO-LINK DATA SPLITTER NPN

Electrical connection

Connection

