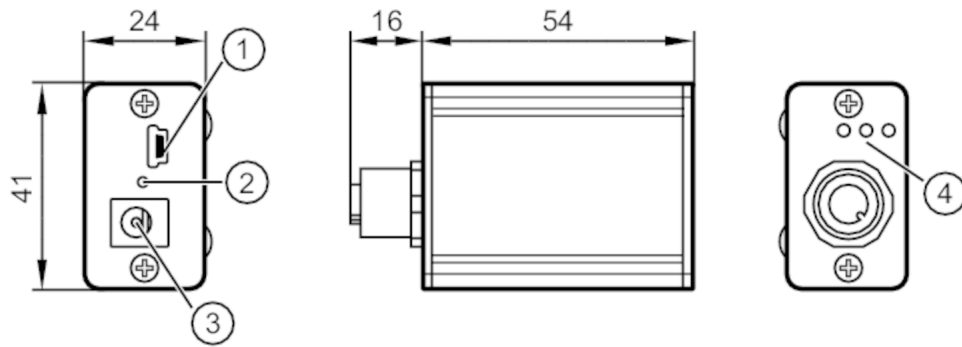


E30390



IO-Link interface

USB IO-LINK MASTER



- 1 socket USB type Mini-B
- 2 LED operating status
- 3 24 V DC
- 4 LED errors / CH2 (DI/DO) / CH1 (C/Q)



Application		
Application	parameter setting and analysis of units	
Electrical data		
Nominal voltage DC [V]	5; (mains operation: 24 V DC)	
Current consumption [mA]	< 500; (mains operation: < 1000 mA)	
Protection class	III	
Outputs		
Short-circuit protection	yes	
Interfaces		
Communication interface	IO-Link	
IO-Link Master		
Transmission type	COM1 / COM2 / COM3	
IO-Link revision	1.1	
Number of ports class A	1	
Operating conditions		
Ambient temperature [°C]	-25...45	
Protection	IP 20	
Tests / approvals		
EMC	DIN EN 61000-6-2	
	DIN EN 61000-6-3	
Mechanical data		
Weight [g]	583.5	
Displays / operating elements		
Display	operating status	1 x LED, yellow
	switching status	2 x LED, yellow
	function display	1 x LED, green
	errors	1 x LED, red

E30390



IO-Link interface

USB IO-LINK MASTER

Accessories	
Accessories (supplied)	Connection cable: M12, EVC176 USB cable
Accessories (optional)	plug-in power supply with international adaptation Software: "LINERECORDER DEVICE", QA0011 / QA0012

Remarks	
Pack quantity	1 pcs.

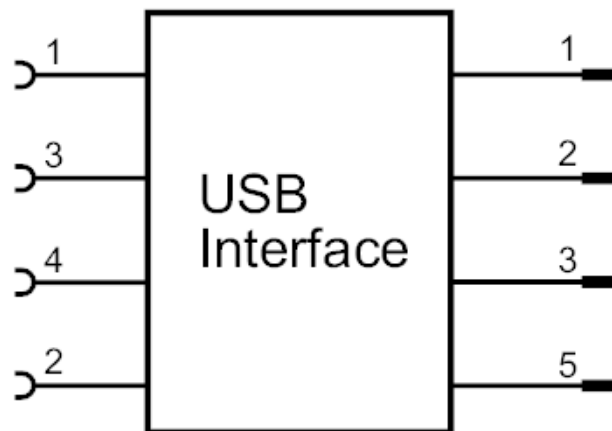
Electrical connection - socket	
1:	+24 V
2:	SIO CH2 (DI/DO)
3:	GND
4:	IO-Link CH1 (C/Q)
5:	not used

Connector: M12



Electrical connection

Connection



Electrical connection - socket	
Connector:	USB

E30390

IO-Link interface

USB IO-LINK MASTER

