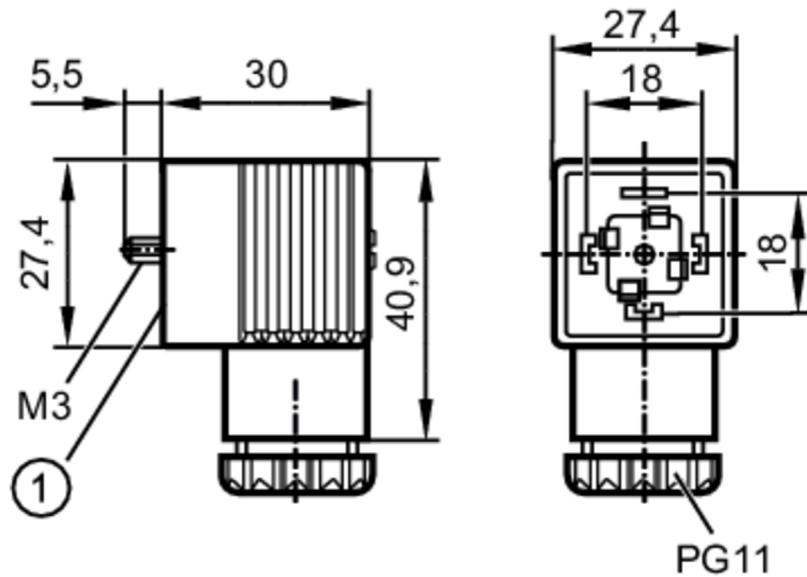


E30447



Wirable valve connector

VALVE PLUG TYPE A



1 Sealing



Application

Special feature	Free from silicone
Free from silicone	yes

Electrical data

Operating voltage	[V]	< 45 AC / < 70 DC
Protection class		III
Max. current load total	[A]	10

Operating conditions

Ambient temperature	[°C]	-40...125
Protection		IP 67

Mechanical data

Weight	[g]	32.3
Dimensions	[mm]	41 x 27 x 30
Materials		PA; FKM
Moulded-body material		PA

Remarks

Pack quantity		1 pcs.
---------------	--	--------

E30447

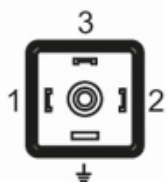


Wirable valve connector

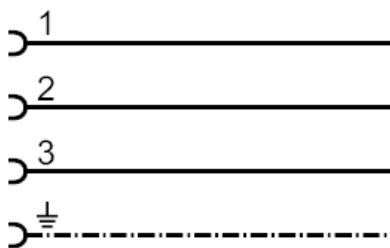
VALVE PLUG TYPE A

Electrical connection

terminals: ...1.5 mm²; Cable sheath: Ø 6...8 mm



Connection



Electrical connection - socket

Connector: 1 x valve plug type A DIN, angled; Moulded body: PA