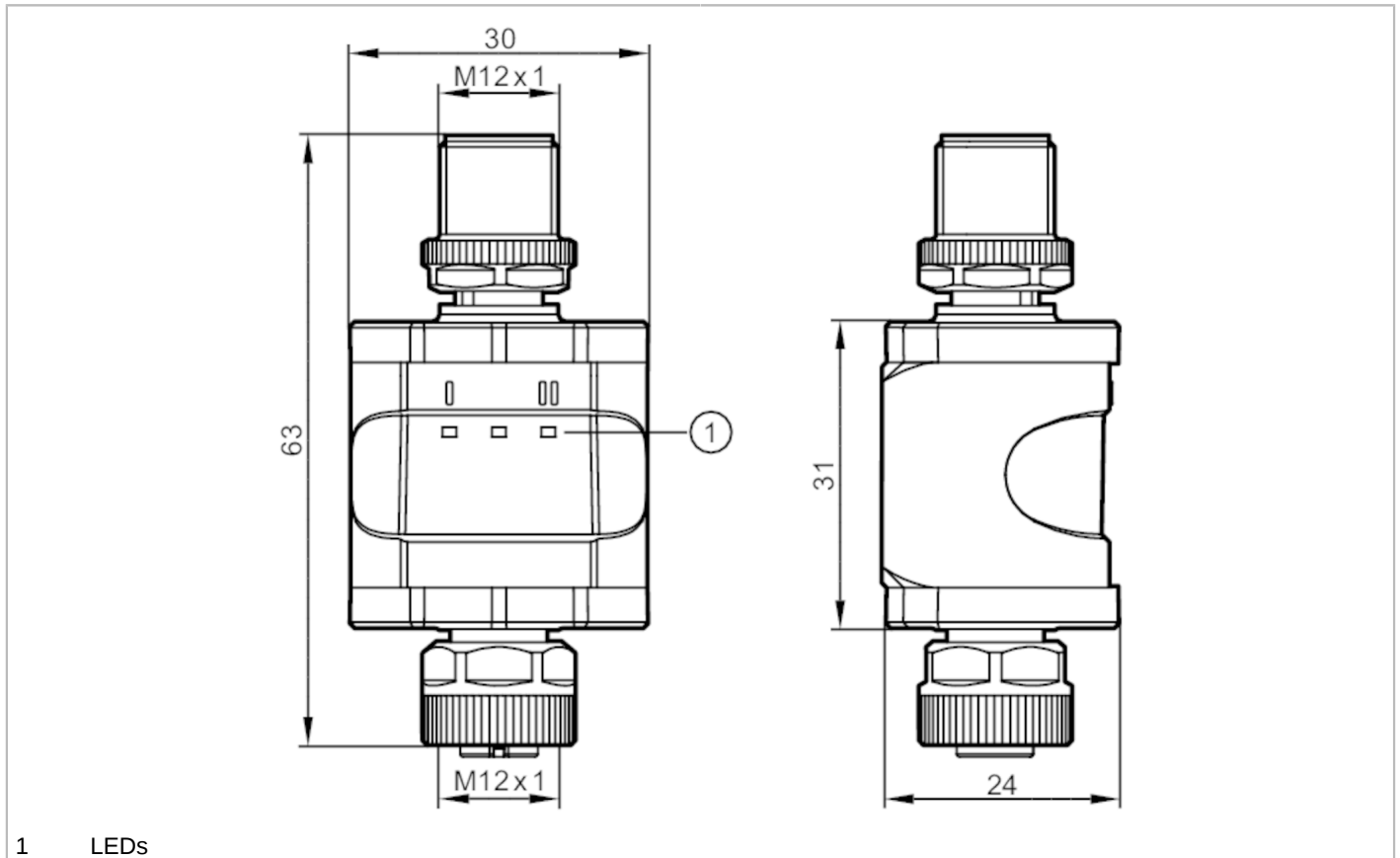


E30446



IO-Link Bluetooth adapter

IO-LINK INLINE BLUETOOTH ADAPTER



1 LEDs



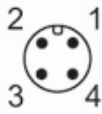
Application	
Special feature	Gold-plated contacts
Radio approval for	USA; Canada; EU/RED; Australia; Japan; Namibia; Brazil; China; India; Singapore; Mexico; South Africa; Malaysia; Vietnam; Chile; Thailand; Taiwan; South Korea; Indonesia
Note on radio approval	The list of countries applying the European Radio Equipment Directive 2014/53/EU (RED) can be found under "Downloads".
Electrical data	
Operating voltage [V]	18...30 DC
Nominal voltage DC [V]	24
Current consumption [mA]	30...830; (24 V DC, full load)
Protection class	III
Reverse polarity protection	yes
Software / programming	
Parameter setting options	process value recording
Interfaces	
Communication interface	IO-Link; Bluetooth
Bluetooth	
Transmission standard	BLE 4.0; BLE 4.1; BLE 4.2; EDR 2.0; EDR 2.1
Frequency band	2,4 - 2,482 GHZ
Transmission power [mW]	10; (10 dBm)
Range	typ. 20 m

E30446



IO-Link Bluetooth adapter

IO-LINK INLINE BLUETOOTH ADAPTER

IO-Link Device		
Transmission type	COM1 (4,8 kBaud); COM2 (38,4 kBaud); COM3 (230,4 kBaud)	
IO-Link revision	1.0; 1.1	
SDCI standard	IEC 61131-9	
Required master port type	A	
Operating conditions		
Ambient temperature [°C]	-25...60	
Storage temperature [°C]	-25...70	
Protection	IP 67	
Tests / approvals		
EMC	DIN EN 61000-6-2	
	DIN EN 61000-6-4	
Shock resistance	DIN EN 60068-2-27	15 g (6 ms)
Vibration resistance	DIN EN 60068-2-6	2 g (10...150 Hz)
MTTF [years]		285
UL approval	File number UL	E205959
Mechanical data		
Weight [g]		88.5
Materials	stainless steel (316L/1.4404); brass (2.0401); PA; PBT; FKM; Sealing: FKM;	
Displays / operating elements		
Display	operation	1 x LED, green
	IO-Link	1 x LED, yellow
	Bluetooth	1 x LED, blue
Remarks		
Pack quantity		1 pcs.
Electrical connection		
Electrical connection - plug		
Connector: 1 x M12; coding: A; Contacts: gold-plated		
		
1	L+ supply	
2	OUT2	
3	L- supply	
4	OUT1	

E30446



IO-Link Bluetooth adapter

IO-LINK INLINE BLUETOOTH ADAPTER

Electrical connection - socket

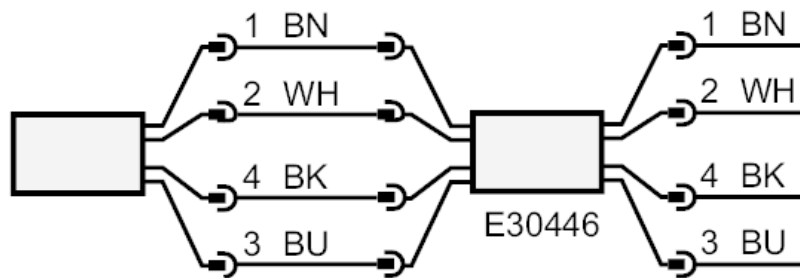
Connector: 1 x M12; coding: A; Contacts: gold-plated



1	L+ supply
2	OUT2
3	L- supply
4	OUT1

Electrical connection

Connection



OUT1:	IO-Link colours to DIN EN 60947-5-2 Core colours :
BK =	black
BN =	brown
BU =	blue
WH =	white