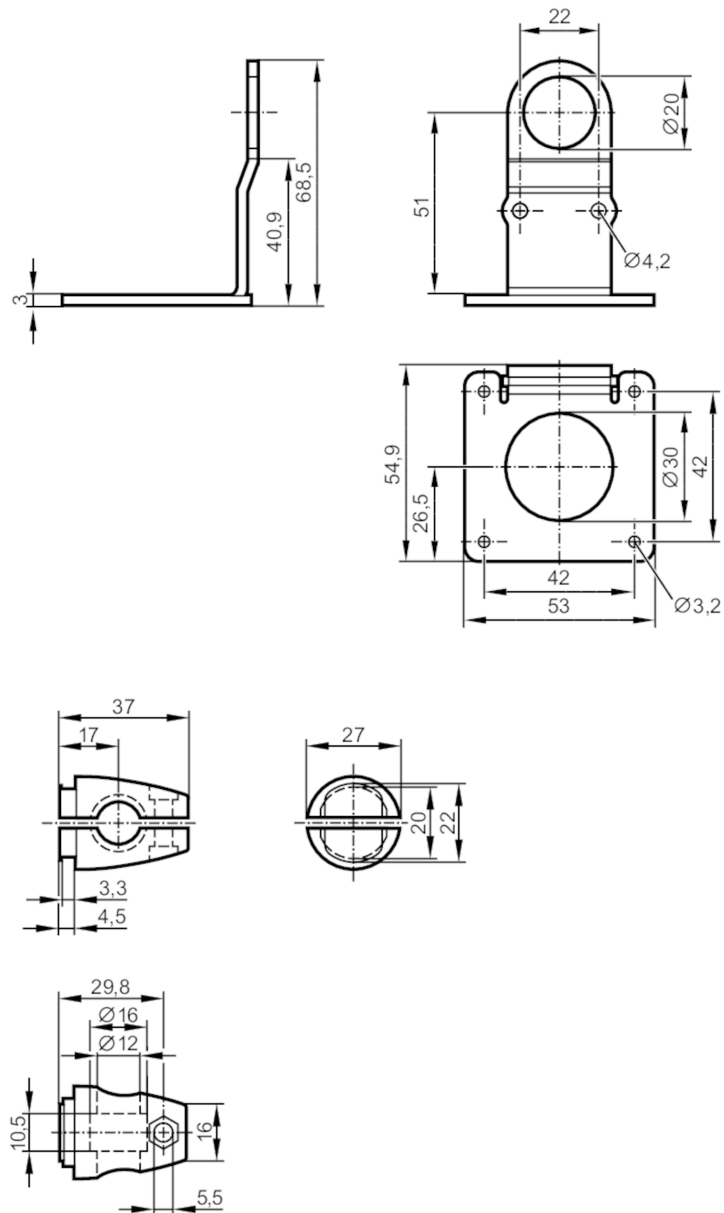


E2D501



Mounting set for illumination unit

Mounting Set Domelight / CC



Application

Design

for type O215xx

Mechanical data

Weight

[g]

224.5

Type of mounting

mounting via screws; Mounting rod; 12 mm

Materials

Clamp: stainless steel (1.4408); cylinder screws: stainless steel; mounting bracket: stainless steel (304/1.4301)

E2D501



Mounting set for illumination unit

Mounting Set Domelight / CC

Accessories	
Items supplied	mounting bracket: 1
	cylinder screws: 2 x M4 x 10
	cylinder screws: 4 x M3 x 8
	Clamp: 1
	Hexagon nut: 1 x M5
	head cap screw: 1 x M5 x 16

Remarks	
Pack quantity	1 pcs.

Diagrams and graphs

