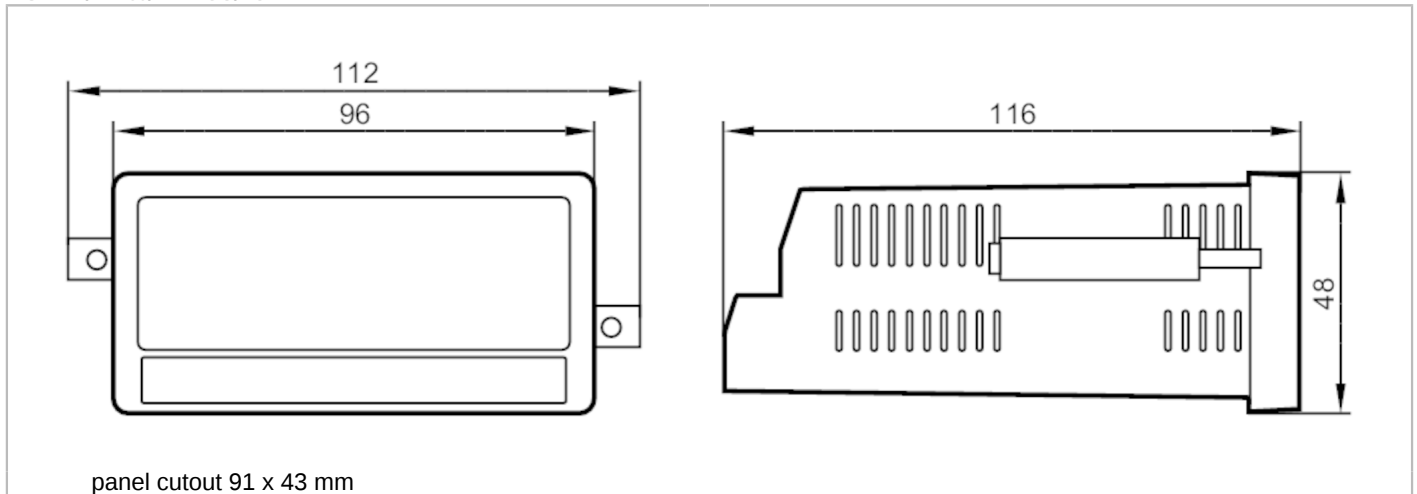


DX2053



Multifunction display for monitoring analogue standard signals

DISPLAY/AX460/ANALOG/DC



Product characteristics	
Dimensions	[mm] 48 x 112 x 116
Application	
Application	displaying and monitoring analogue signals; e.g. pressure sensors, temperature sensors or flow sensors
Electrical data	
Operating voltage	[V] 18...30 DC
Current consumption	[mA] 100
Inputs / outputs	
Number of inputs and outputs	Number of analogue inputs: 2; Number of digital outputs: 4; Number of analogue outputs: 1
Inputs	
Number of analogue inputs	2; (Spannungs- oder Stromeingang)
Analogue input (current)	[mA] 0...20
Analogue input (voltage)	[V] -10...10
Resolution of analogue input	16 bit
Precision analogue input	[%] 0,1
Outputs	
Number of digital outputs	4
Max. current load per output	[mA] 200
Number of analogue outputs	1
Analogue current output	[mA] 0...20
Max. load	[Ω] 270
Analogue voltage output	[V] -10...10
Precision analogue output	[%] 0,1
Overload protection	yes
Resolution of analogue output	16 bit
Operating conditions	
Ambient temperature	[°C] -20...60

DX2053



Multifunction display for monitoring analogue standard signals

DISPLAY/AX460/ANALOG/DC

Storage temperature	[°C]	-25...70
Protection		IP 65
Protection rating terminals		IP 20

Tests / approvals

EMC	EN 61000-6-2	
	EN 61000-6-3	
	EN 61000-6-4	

Mechanical data

Weight	[g]	299
Type of mounting		panel cutout: 91 x 43 mm
Dimensions	[mm]	48 x 112 x 116
Materials		Noryl UL94-V-0

Displays / operating elements

Display	colour display	full graphic LCD display, touch screen
---------	----------------	--

Electrical connection

screw terminals:

Connection

