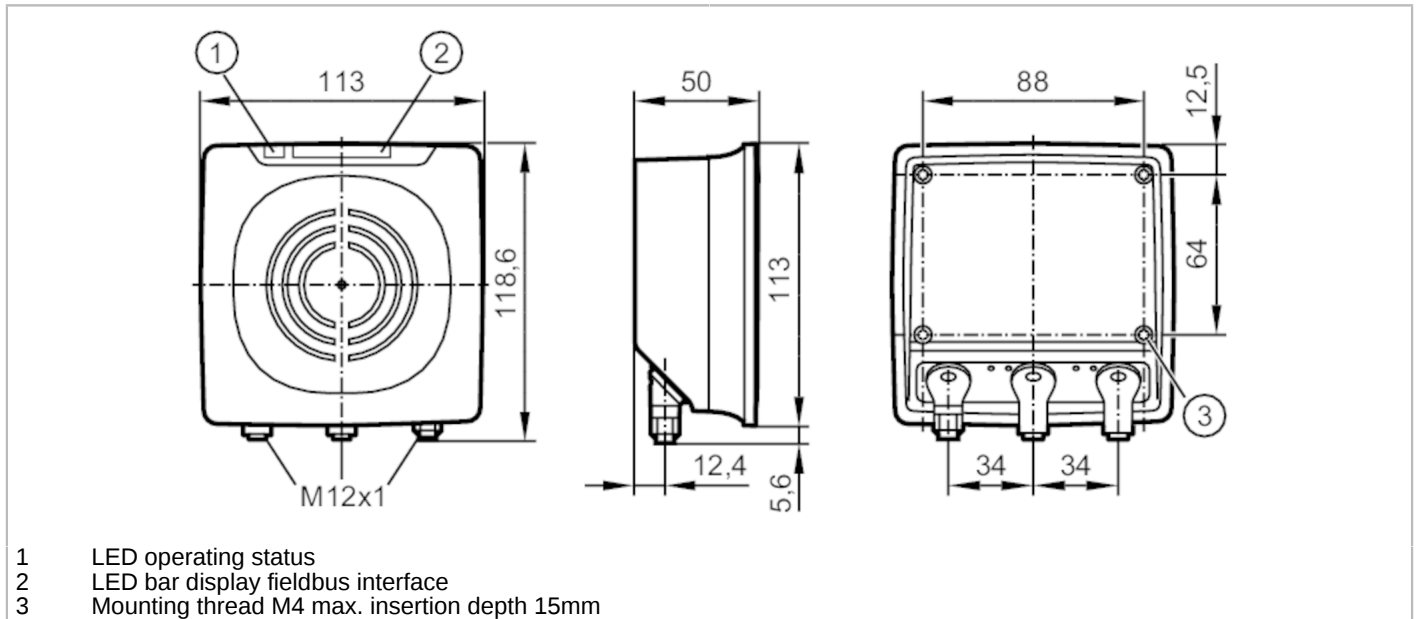


# DTE605



## Compact RFID device with fieldbus interface

DTRHF HLRWITUS03



Application	
Radio approval for	USA; Canada; South Korea; Japan; Taiwan; Singapore; China; EU/RED; India; Malaysia; Vietnam
Note on radio approval	The list of countries applying the European Radio Equipment Directive 2014/53/EU (RED) can be found under "Downloads".
Electrical data	
Operating voltage [V]	19.2...28.8 DC
Current consumption [mA]	500
Protection class	III
Operating frequency [MHz]	13,56
RFID standard	ISO 15693
Outputs	
Max. current load per output [mA]	100; (max.)
Detection zone	
Distance write/read head front [mm]	600
Distance write/read head side [mm]	850
Note on distance write/read head	100% transmission power
Distance to the ID tag [mm]	50 mm tag : ≤ 150
	ISO card : ≤ 180
Interfaces	
Communication interface	Ethernet
Ethernet - Internet of Things	
Transmission standard	10Base-T; 100Base-TX
Transmission rate	10 MBit/s; 100 MBit/s
Protocol	MQTT JSON

# DTE605



## Compact RFID device with fieldbus interface

DTRHF HLRWITUS03

Factory settings	IP address: 192.168.0.79
	subnet mask: 255.255.255.0
	gateway IP address: 192.168.0.100
Usage type	parameter setting; data transmission

### Operating conditions

Ambient temperature	[°C]	-20...60
Storage temperature	[°C]	-25...80
Protection		IP 67

### Tests / approvals

Shock resistance	IEC 60028-2-27	40 g (6 ms) / bump
		50 g (11 ms) / single shock
Vibration resistance	EN 60068-2-6	2 g (10...150 Hz)
UL approval	Ta	-20...60 °C
	Enclosure type	Type 1
	power supply	Limited Voltage/Current
	File number UL	E205959

### Mechanical data

Weight	[g]	645.1
Dimensions	[mm]	113 x 118.6 x 50
Materials		PBT / PC; stainless steel; aluminium

### Displays / operating elements

Display	power supply	1 x LED, green
	LED bar display	4 x LED, yellow signal strength ID tag
	status	2 x LED, green/red fieldbus interface
	status	2 x LED, green/yellow Ethernet

### Remarks

Pack quantity	1 pcs.
---------------	--------

### Electrical connection - Ethernet

Connector: 2 x M12; coding: D



### ETH1 / ETH2

1	TD+
2	RD+
3	TD-
4	RD-

# DTE605

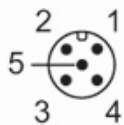


## Compact RFID device with fieldbus interface

DTRHF HLRWITUS03

### Electrical connection - power supply

Connector: 1 x M12; coding: A



### PWR

1	L+
2	digital input/output 2
3	L-
4	digital input/output 1
5	not used