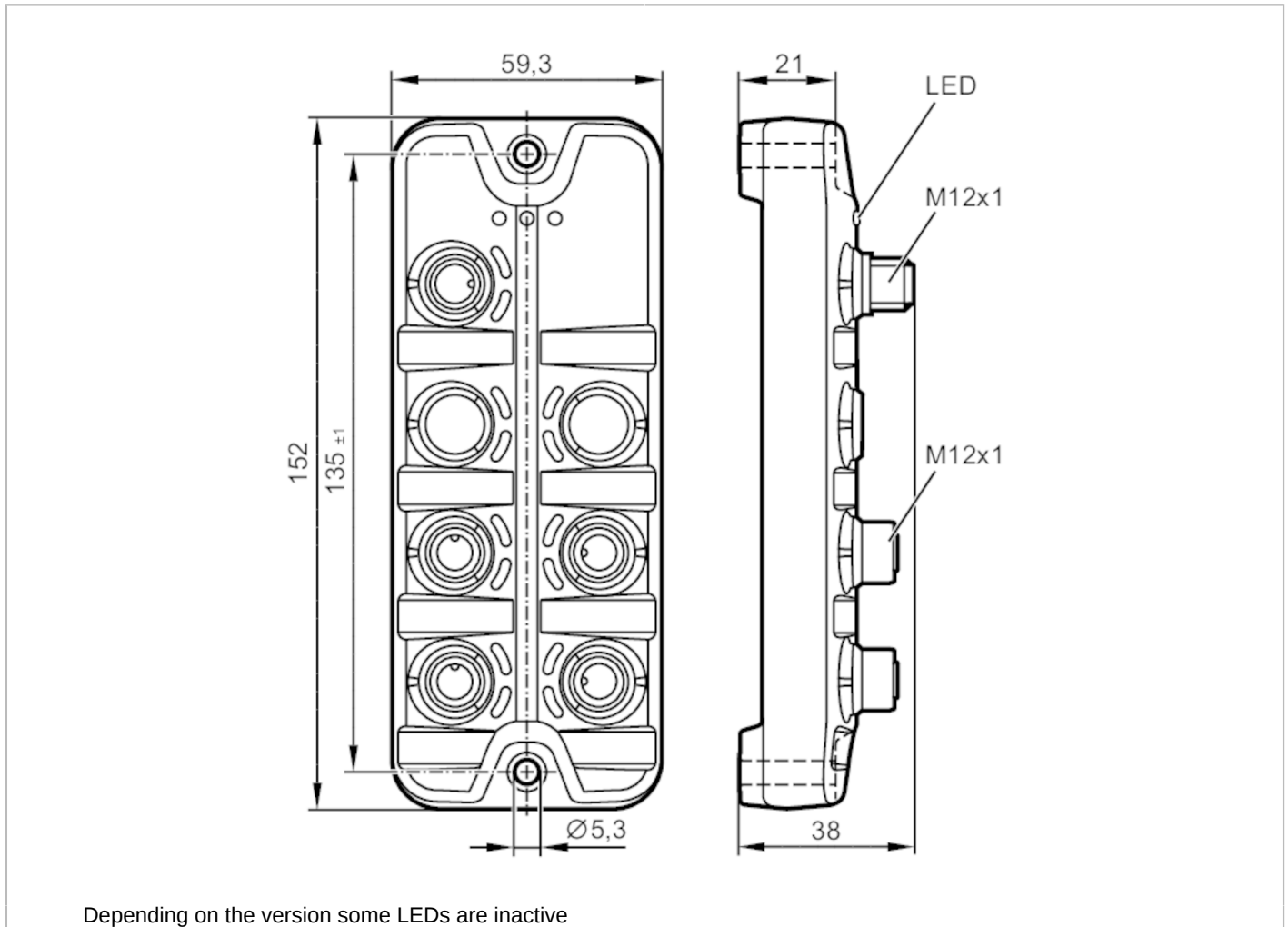


# AL2384



## IO-Link temperature module

IOL MOD 4xTEMP IP67



Depending on the version some LEDs are inactive



Electrical data		
Operating voltage	[V]	18...30 DC
Current consumption	[mA]	< 200; (US)
Protection class		III
Inputs / outputs		
Number of inputs and outputs		Number of analogue inputs: 4
Inputs		
Number of analogue inputs		4; (PT100: connection of 2-wire, 3-wire and 4-wire sensors; PT1000: connection of 2-wire, 3-wire and 4-wire sensors, TCK, TJK)
Precision analogue input	[%]	± 0,3
Measuring range		
Analogue input	function type	PT100 2/3/4
	Measuring range [°C]	-195...510
Analogue input	function type	PT1000 2/3/4
	Measuring range [°C]	-195...310
Analogue input	function type	Thermocouple
	Measuring range [°C]	type J: -210...1200
	Measuring range [°C]	type K: -200...1370

# AL2384



## IO-Link temperature module

IOL MOD 4xTEMP IP67

Interfaces		
Communication interface	IO-Link	
SDCI standard	IEC 61131-9	
Transmission type	COM3 (230,4 kBaud)	
IO-Link revision	1.1.3	
SIO mode	no	
Required master port type	A	
Min. process cycle time [ms]	4	
Supported DeviceIDs	<b>Type of operation</b>	<b>DeviceID</b>
	default	1450
Operating conditions		
Ambient temperature [°C]	-25...60	
Storage temperature [°C]	-25...70	
Max. relative air humidity [%]	90	
Max. height above sea level [m]	2000	
Protection	IP 65; IP 67	
Protection rating (NEMA 250)	6P	
Pollution degree	2	
Chemical media	ISO 16750-5	AA, BA, BD, HLP, CC, DB, DC, DD, CA
	NEMA 250 5.13.1	AA
Tests / approvals		
EMC	EN 61000-6-2	
	EN 61000-6-3	
	IEC 61131-9	
Shock resistance	DIN EN 60068-2-27	
Vibration resistance	DIN EN 60068-2-64	
	DIN EN 60068-2-6	
Mechanical data		
Weight [g]	347.051	
Materials	housing: PA orange; socket: brass nickel-plated	
Sealing material	FKM	
Displays / operating elements		
Display	operation	2 x LED, green
	fault	3 x LED, red
	function	8 x LED, yellow
Accessories		
Accessories (optional)	protective cap for M12 sockets	
Remarks		
Pack quantity	1 pcs.	



## IO-Link temperature module

IOL MOD 4xTEMP IP67

### Electrical connection - IO-Link

Connector: 1 x M12; coding: A

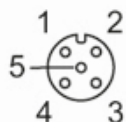


#### X1

1	L+ (US)
2	not used
3	L- (US)
4	IO-Link

### Electrical connection - Inputs

Connector: 4 x M12; coding: A; Sealing: FKM



#### X1.0...X1.3

1	R+: PT100 / PT1000
2	MP+: TCK / TCJ / PT100 / PT1000
3	R-: PT100 / PT1000
4	MP-: TCK / TCJ / PT100 / PT1000
5	FE