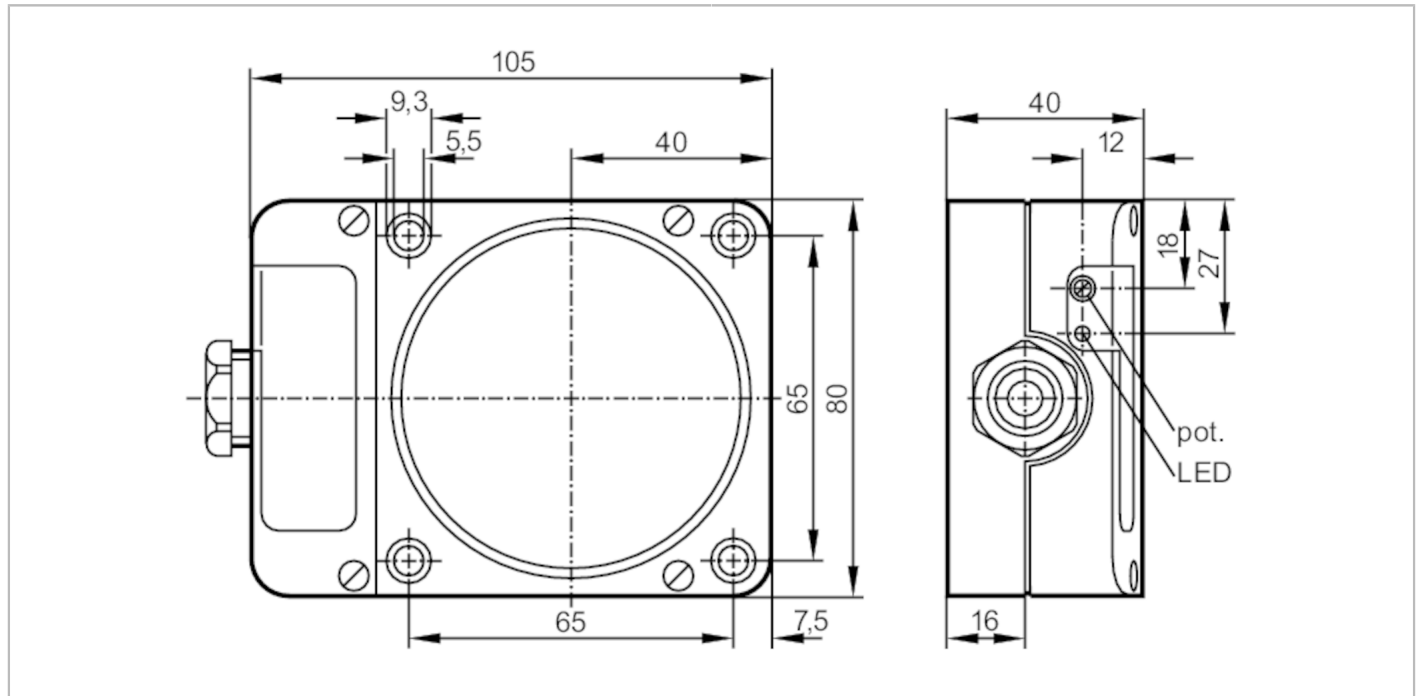




## Capacitive sensor

KDE2060-FBOA/NI



Electrical data	
Operating voltage [V]	20...250 AC/DC
Protection class	II
Reverse polarity protection	no
Outputs	
Output function	normally open / normally closed; (selectable)
Max. voltage drop switching output DC [V]	8
Max. voltage drop switching output AC [V]	10
Minimum load current [mA]	5
Max. leakage current [mA]	2.5 (250 V AC) / 1.7 (110 V AC) / 1.3 (24 V DC)
Permanent current rating of switching output AC [mA]	200; (250 (...50 °C))
Permanent current rating of switching output DC [mA]	200; (250 (...50 °C))
Short-time current rating of switching output [mA]	1500; (20 ms / 0,5 Hz)
Switching frequency AC [Hz]	10
Switching frequency DC [Hz]	10
Short-circuit proof	no
Overload protection	no

# KD0009



## Capacitive sensor

KDE2060-FBOA/NI

Detection zone		
Sensing range	[mm]	60
Sensing range adjustable		yes
Factory setting sensing range	[mm]	60
Real sensing range Sr	[mm]	60 ± 10 %
Operating distance	[mm]	0...48.6
Accuracy / deviations		
Correction factor		glass: 0.4 / water: 1 / ceramics: 0.2 / PVC: 0.2
Hysteresis	[% of Sr]	1...15
Switch point drift	[% of Sr]	-15...15
Operating conditions		
Ambient temperature	[°C]	-25...80
Protection		IP 65
Increased immunity		yes
Tests / approvals		
EMC		EN 60947-5-2
MTTF	[years]	270
Mechanical data		
Weight	[g]	299.5
Housing		rectangular
Mounting		non-flush mountable
Dimensions	[mm]	105 x 80 x 40
Materials		PPE modified
Displays / operating elements		
Display	switching status	1 x LED, yellow
Electrical connection		
Required protection		miniature fuse to IEC60127-2 sheet 1; ≤ 2 A; fast acting
Accessories		
Accessories (supplied)		screwdriver: 1 spring washers: 4 cylinder screws: 4
Remarks		
Remarks		Recommendation: Check the safe functioning of the unit after a short circuit.
Pack quantity		1 pcs.

# KD0009



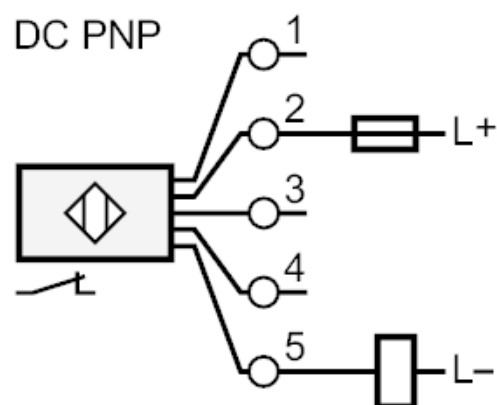
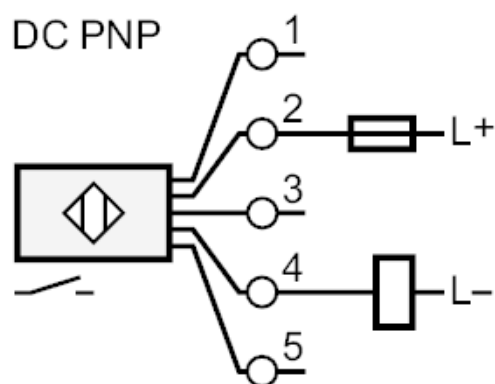
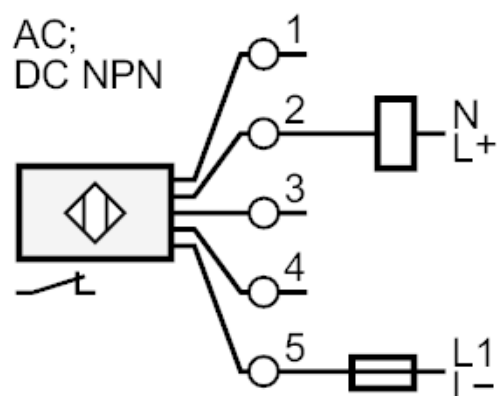
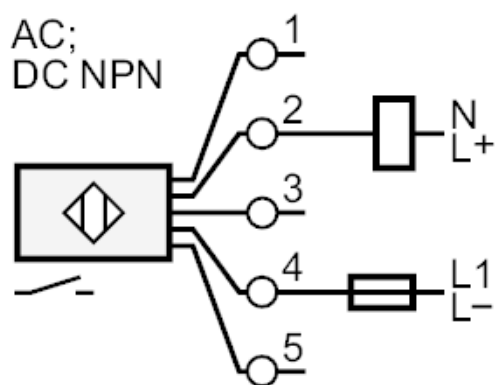
## Capacitive sensor

KDE2060-FBOA/NI

### Electrical connection

terminals: ...2.5 mm<sup>2</sup>; Cable sheath: Ø 7...13 mm; Cable gland: M20 X 1.5

### Connection



Note miniature fuse to IEC60127-2 sheet 1 ≤ 2 A fast acting