

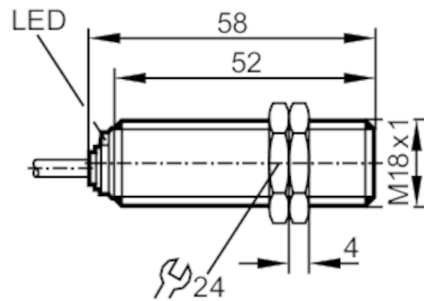
IG9200



Inductive sensor

IGB2005-ARKG/6M

discontinued article



Electrical data

Operating voltage [V]	10...55 DC
Protection class	II
Reverse polarity protection	yes

Outputs

Electrical design	PNP/NPN
Output function	normally open
Max. voltage drop switching output DC [V]	4.6
Minimum load current [mA]	4
Max. leakage current [mA]	0.6
Permanent current rating of switching output DC [mA]	400
Switching frequency DC [Hz]	700
Short-circuit protection	yes
Type of short-circuit protection	pulsed
Overload protection	yes

Detection zone

Sensing range [mm]	5
Real sensing range Sr [mm]	5 ± 10 %
Operating distance [mm]	0...4.05

Accuracy / deviations

Correction factor	steel: 1 / stainless steel: 0.7 / brass: 0.4 / aluminium: 0.3 / copper: 0.2
Hysteresis [% of Sr]	1...15
Switch point drift [% of Sr]	-10...10

Operating conditions

Ambient temperature [°C]	-25...80
Protection	IP 67

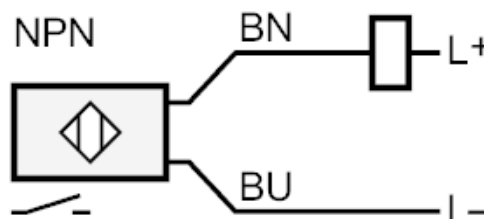
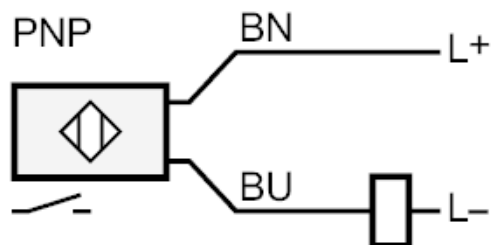
IG9200



Inductive sensor

IGB2005-ARKG/6M

Tests / approvals		
EMC	EN 60947-5-2 EN 55011	class B
Mechanical data		
Housing	threaded type	
Mounting	flush mountable	
Dimensions [mm]	M18 x 1 / L = 58	
Thread designation	M18 x 1	
Materials	brass nickel-plated; PBT	
Displays / operating elements		
Display	switching status	1 x LED, yellow
Accessories		
Accessories (supplied)	lock nuts: 2	
Remarks		
Pack quantity	1 pcs.	
Electrical connection		
Cable: 6 m, PUR; 2 x 0.5 mm ²		
Connection		



Core colours :

BN = brown
BU = blue

discontinued article