

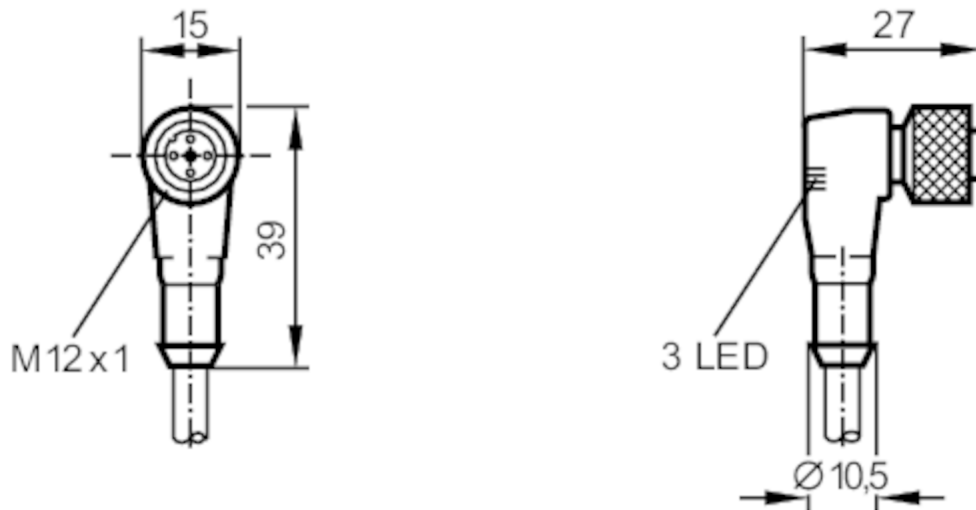
E10870



Connecting cable with socket

ADOAH043MSS0005H04

Article no longer available - archive entry



Application		
Special feature		Halogen-free
Electrical data		
Operating voltage	[M]	10...30 DC
Outputs		
Electrical design		PNP
Operating conditions		
Ambient temperature	[°C]	-25...90
Protection		IP 67
Mechanical data		
Dimensions	[mm]	27 x 15 x 39
Materials		TPU
Material nut		brass, anti-spatter
Displays / operating elements		
Display	switching status	2 x LED, yellow
	operation	1 x LED, green
Remarks		
Pack quantity		1 pcs.
Electrical connection		
Cable: 5 m, PUR, Halogen-free; cross-linked; 4 x 0.34 mm ² (19 x Ø 0.15 mm)		
Electrical connection - socket		
Connector: 1 x M12, angled; Moulded body: TPU; Locking: brass, anti-spatter		

E10870

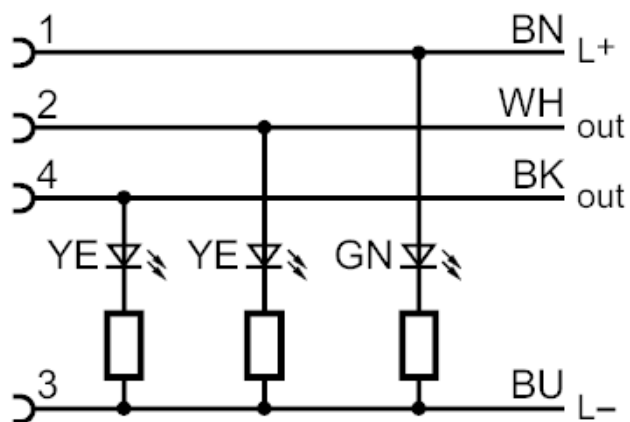


Connecting cable with socket

ADOAH043MSS0005H04



Connection



Core colours :

BK = black
BN = brown
BU = blue
WH = white

Article no longer available - archive entry