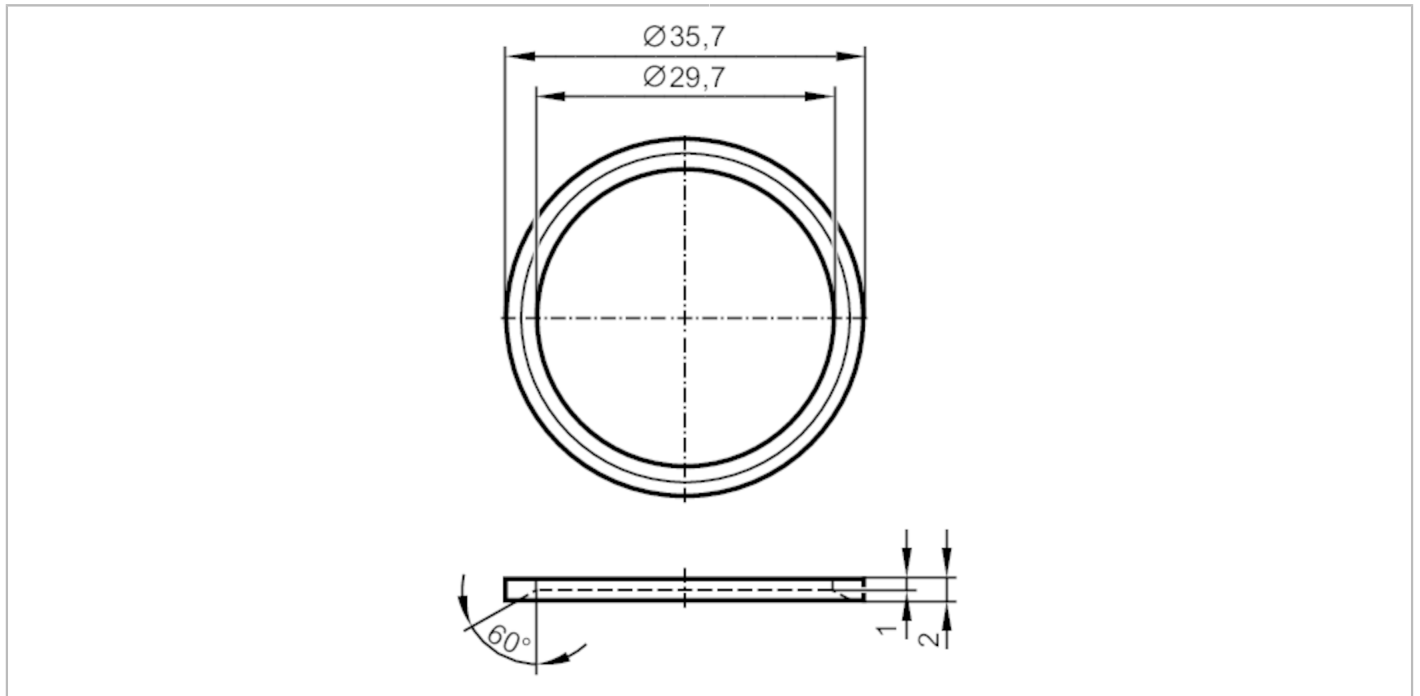


E30497



Gasket

SEAL RING FKM G1



Application	
Design	for units with process connection G 1
Operating conditions	
Ambient temperature [°C]	-15...200
Tests / approvals	
Standard	DIN EN ISO 1179-2
Mechanical data	
Weight [g]	6.1
Inside diameter [mm]	29.7
External diameter [mm]	35.7
Materials	FKM
Remarks	
Pack quantity	5 pcs.