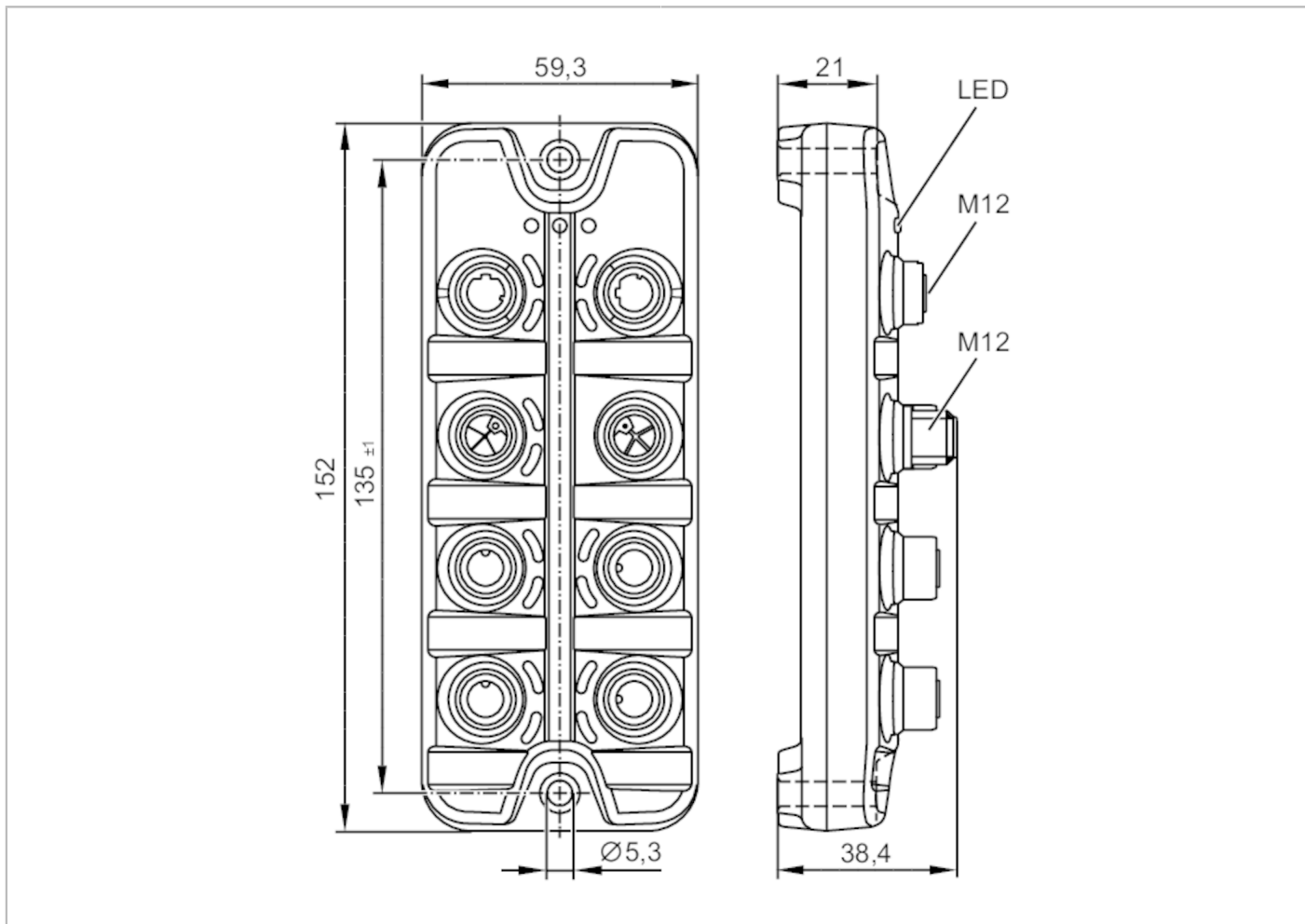


AL1431



IO-Link master with EtherCAT interface

IO-Link Master PFL EC 4P IP69K



Application	
Application	hygienic systems; I/O modules for field applications
Daisy-chain function	power supply; fieldbus interface
Electrical data	
Operating voltage [V]	20...28 DC; (US ; to SELV/PELV)
Current consumption [mA]	300...3900; (US)
Protection class	III
Additional voltage supply [V]	20...30 DC; (UA)
Actuator supply UA	
Max. current load total [A]	8
Current rating per port [A]	2; (adjustable: 0...2; Factory setting: 2)
Sensor supply US	
Max. current load total [A]	3.6
Current rating per port [A]	2; (adjustable: 0...2; Factory setting: 0,45)
Inputs / outputs	
Total number of inputs and outputs	12; (configurable)



IO-Link master with EtherCAT interface

IO-Link Master PFL EC 4P IP69K


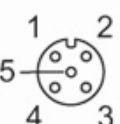
Number of inputs and outputs	Number of digital inputs: 4; Number of digital outputs: 8	
Inputs		
Number of digital inputs	4; (IO-Link Port Class B: 4 x 1)	
Switching level high [V]	11...30	
Switching level low [V]	0...5	
Digital inputs protected against short circuits	yes	
Outputs		
Number of digital outputs	8; (IO-Link Port Class B: 4 x 2)	
Short-circuit proof	yes	
Actuator supply UA		
Max. current load per output [mA]	2000	
Sensor supply US		
Max. current load per output [mA]	2000	
Interfaces		
Communication interface	Ethernet; IO-Link	
Ethernet - EtherCAT		
Transmission standard	100Base-TX	
Transmission rate	100 MBit/s	
Protocol	EtherCAT	
Factory settings	MAC address: see type label	
Note on interfaces	AoE (ADS over EtherCAT)	
	CoE (CANopen over EtherCAT)	
	EoE (Ethernet over EtherCAT)	
	FoE (File Access over EtherCAT)	
IO-Link Master		
Transmission type	COM1 (4,8 kBaud); COM2 (38,4 kBaud); COM3 (230,4 kBaud)	
IO-Link revision	1.1	
Number of ports class B	4	
Operating conditions		
Ambient temperature [°C]	-25...60	
Storage temperature [°C]	-25...85	
Max. relative air humidity [%]	90	
Protection	IP 65; IP 66; IP 67; IP 69K; (operation with stainless steel protective caps: IP 69K)	
Protection rating (NEMA 250)	6P	
Pollution degree	2	
Chemical media	ISO 16750-5	HLP, CC, DB, DC, DD, CA
	NEMA 250 5.13.1	AA
Tests / approvals		
EMC	EN 61000-6-2	
	EN 61000-6-4	
Shock resistance	DIN EN 60068-2-27	
Vibration resistance	DIN EN 60068-2-64 2009-04	
	DIN EN 60068-2-6 2008-10	

AL1431



IO-Link master with EtherCAT interface

IO-Link Master PFL EC 4P IP69K

Mechanical data	
Weight [g]	322.4
Materials	housing: PA grey; socket: stainless steel (316L/1.4404)
Sealing material	EPDM
Accessories	
Items supplied	Protective cap: 1 x M12, stainless steel, E12542
Remarks	
Remarks	For further information please see the operating instructions.
Pack quantity	1 pcs.
Electrical connection	
Electrical connection - Ethernet	
Connector: M12; coding: D; Sealing: EPDM	
	
IN / OUT XF1, XF2	
1	TX +
2	RX +
3	TX -
4	RX -
5	not used
Electrical connection - Process connection	
Connector: M12; coding: A; Sealing: EPDM	
	
IO-Link Port Class B X1...X4	
1	Sensor supply (US) L +
2	actuator supply / digital output (UA) L+
3	Sensor supply (US) L-
4	C/Q IO-Link
5	actuator supply (UA) L-

AL1431



IO-Link master with EtherCAT interface

IO-Link Master PFL EC 4P IP69K

Electrical connection - power supply IN

Connector: M12; coding: L



XD1

1	+ 24 V DC (US) brown
2	GND (UA) white
3	GND (US) blue
4	+ 24 V DC (UA) black
5	FE grey

Electrical connection - power supply OUT

Connector: M12; coding: L; Sealing: EPDM



XD2

1	+ 24 V DC (US) brown
2	GND (UA) white
3	GND (US) blue
4	+ 24 V DC (UA) black
5	FE grey