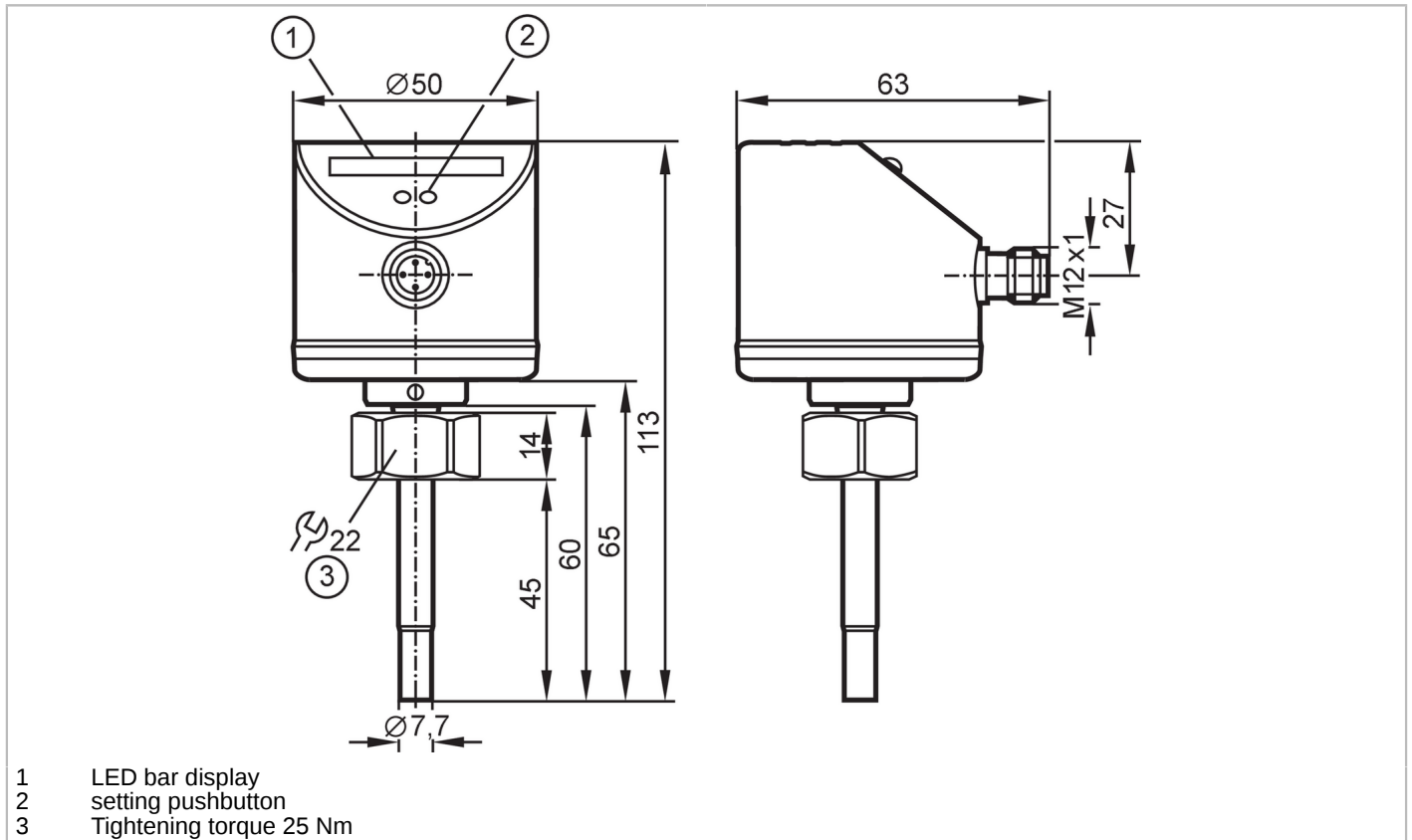


SI5000



Flow monitor

SID10ABBFPKG/US-100



Product characteristics

Number of inputs and outputs	Number of digital outputs: 1
Process connection	threaded connection M18 x 1,5 internal thread

Application

Media	Liquids; Gases
Medium temperature [°C]	-25...80
Pressure rating	30 bar 3 MPa

Liquids

Medium temperature [°C]	-25...80
-------------------------	----------

Gases

Medium temperature [°C]	-25...80
-------------------------	----------

Electrical data

Operating voltage [V]	19...36 DC
Current consumption [mA]	< 60
Protection class	III
Reverse polarity protection	yes
Power-on delay time [s]	10

Inputs / outputs

Number of inputs and outputs	Number of digital outputs: 1
------------------------------	------------------------------

SI5000



Flow monitor

SID10ABBFPKG/US-100

Outputs	
Total number of outputs	1
Output signal	switching signal
Electrical design	PNP
Number of digital outputs	1
Output function	normally open / normally closed; (parameterisable)
Max. voltage drop switching output DC [V]	2.5
Permanent current rating of switching output DC [mA]	250
Short-circuit protection	yes
Type of short-circuit protection	pulsed
Overload protection	yes
Measuring/setting range	
Probe length L [mm]	45
Liquids	
Setting range [cm/s]	3...300
Greatest sensitivity [cm/s]	3...100
Gases	
Setting range [cm/s]	200...3000
Greatest sensitivity [cm/s]	200...800
Accuracy / deviations	
Repeatability [cm/s]	1...5
Note on repeatability	for water 5...100 cm/s; 25 °C Factory setting
Temperature drift [cm/s x 1/K]	0.1; (for water 5...100 cm/s; 10...70 °C)
Temperature gradient [K/min]	300
Switch point accuracy [cm/s]	± 2...± 10; (for water 5...100 cm/s; 25 °C; Factory setting)
Hysteresis [cm/s]	2...5; (for water 5...100 cm/s; 25 °C; Factory setting)
Response times	
Response time [s]	1...10
Liquids	
Response time [s]	1...10
Gases	
Response time [s]	1...10
Software / programming	
Adjustment of the switch point	pushbutton
Operating conditions	
Ambient temperature [°C]	-25...80
Storage temperature [°C]	-25...100
Protection	IP 67

SI5000



Flow monitor

SID10ABBFPKG/US-100

Tests / approvals		
EMC	EN 61000-4-2 ESD	4 kV CD / 8 kV AD
	EN 61000-4-3 HF radiated	10 V/m
	EN 61000-4-4 Burst	2 kV
	EN 61000-4-6 HF conducted	10 V
Shock resistance	DIN IEC 68-2-27	50 g (11 ms)
Vibration resistance	DIN EN 60068-2-6	20 g (55...2000 Hz)
MTTF	[years]	298

Mechanical data		
Weight	[g]	246
Housing		cylindrical
Dimensions	[mm]	Ø 50 / L = 113
Materials		stainless steel (316L/1.4404); stainless steel (301/1.4310); PC; PBT-GF20; EPDM/X
Materials (wetted parts)		stainless steel (316L/1.4404); O-ring: FKM 80 Shore A
Process connection		threaded connection M18 x 1,5 internal thread
Probe diameter	[mm]	8.2
Installation length EL	[mm]	45

Displays / operating elements		
Display	function	10 x LED, three-colour

Remarks		
Pack quantity		1 pcs.

Electrical connection

Connector: 1 x M12; coding: A



Connection

