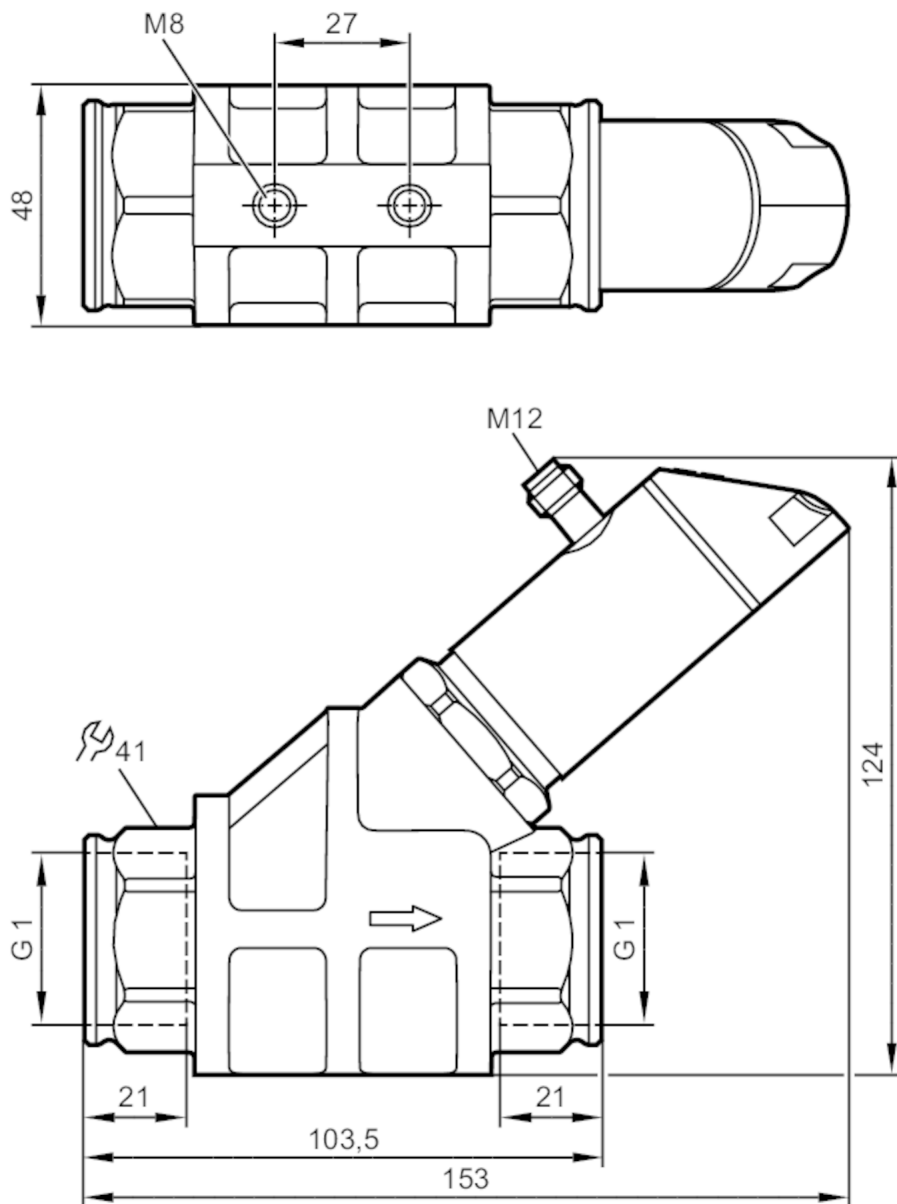


SB7244



Flow meter with integrated backflow prevention and display

SBG11KL0FRKG



Product characteristics

Measuring range	2...50 l/min	0.12...3 m ³ /h	32...793 gph	0.52...13.2 gpm
Process connection	threaded connection G 1 internal thread			

Application

Special feature	Gold-plated contacts			
Media	Liquids; oils (viscosity 320 mm ² /s at 40 °C)			
Medium temperature [°C]	-10...100			
Pressure rating [bar]	100			
Pressure rating [Mpa]	10			
Note on pressure rating	at medium temperature >70°C: 80 bar / 8 MPa			



Flow meter with integrated backflow prevention and display

SBG11KL0FRKG

Electrical data					
Operating voltage	[V]	18...30 DC; (to SELV/PELV ; "supply class 2" to cULus)			
Current consumption	[mA]	< 50			
Protection class		III			
Reverse polarity protection		yes			
Power-on delay time	[s]	< 3			
Outputs					
Total number of outputs		2			
Output signal		switching signal; analogue signal; frequency signal; IO-Link			
Output function		normally open / normally closed; (parameterisable)			
Max. voltage drop switching output DC	[V]	2			
Max. current load per output	[mA]	150; (200: ...60 °C; Ambient temperature; 250: ...40 °C; Ambient temperature)			
Analogue current output	[mA]	4...20			
Max. load	[Ω]	500			
Short-circuit protection		yes			
Overload protection		yes			
Frequency of the output	[Hz]	0...10000			
Measuring/setting range					
Measuring range		2...50 l/min	0.12...3 m³/h	32...793 gph	0.52...13.2 gpm
Display range		0...60 l/min	0...3.6 m³/h	0...951 gph	0...15.86 gpm
Resolution		0.01 l/min	0.001 m³/h	1 gph	0.01 gpm
Set point SP		0.35...50 l/min	0.02...3 m³/h	5...793 gph	0.08...13.2 gpm
Reset point rP		0...49.65 l/min	0...2.98 m³/h	0...787 gph	0...13.12 gpm
Frequency end point, FEP		3.35...50 l/min	0.2...3 m³/h	53...793 gph	0.88...13.2 gpm
In steps of		0.05 l/min	0.005 m³/h	1 gph	0.02 gpm
Frequency at the end point FRP	[Hz]	10...10000			
In steps of	[Hz]	10			
Measuring dynamics		1:50			
Temperature monitoring					
Measuring range		-10...100 °C		14...212 °F	
Display range		-32...122 °C		-25.6...251.6 °F	
Resolution		0.1 °C		0.1 °F	
Set point SP		-9.3...100 °C		15.2...212 °F	
Reset point rP		-10...99.3 °C		14...210.8 °F	
In steps of		0.1 °C		0.2 °F	
Frequency start point, FSP		-10...78 °C		14...172.4 °F	
Frequency end point, FEP		12...100 °C		53.6...212 °F	
Frequency at the end point FRP	[Hz]	10...10000			
In steps of	[Hz]	10			
Accuracy / deviations					
Flow monitoring					
Accuracy (in the measuring range)		± 5 % MEW; (Q > 1 l/min; 20...70 °C Medium temperature)			



Flow meter with integrated backflow prevention and display

SBG11KL0FRKG

Repeatability	± 1 % MEW	
Temperature monitoring		
Temperature drift	0,029 °C / K	
Accuracy [K]	3 K (25°C; Q > 1 l/min)	
Response times		
Flow monitoring		
Response time [s]	0.01	
Damping process value dAP [s]	0...5	
In steps of [s]	0.1	
Damping for the analogue output dAA [s]	0...5	
In steps of [s]	0.1	
Temperature monitoring		
Dynamic response T05 / T09 [s]	T09 = 120 (Q > 1 l/min)	
Software / programming		
Parameter setting options	hysteresis / window; normally open / normally closed; switching logic; current/frequency output; damping for the switching output / analogue output; display can be rotated and switched off; standard unit of measurement; process value colour; calibration factor	
Interfaces		
Communication interface	IO-Link	
Transmission type	COM2 (38,4 kBaud)	
IO-Link revision	1.1	
SDCI standard	IEC 61131-9 CDV	
Profiles	Smart Sensor: Process Data Variable; Device Identification, Device Diagnosis	
SIO mode	yes	
Required master port type	A	
Process data analogue	2	
Process data binary	2	
Min. process cycle time [ms]	3.2	
Supported DeviceIDs	Type of operation	DeviceID
	Default	1045
Operating conditions		
Ambient temperature [°C]	0...60	
Note on ambient temperature	medium temperature < 80 °C medium temperature < 100 °C: 0...40 °C	
Storage temperature [°C]	-15...80	
Protection	IP 65; IP 67	
Tests / approvals		
EMC	DIN EN 61000-6-2	
	DIN EN 61000-6-3	
Shock resistance	DIN EN 60068-2-27	20 g (11 ms)
Vibration resistance	DIN EN 60068-2-6	5 g (10...2000 Hz)
UL approval	UL Approval no.	I006
	File number UL	E174189
Pressure Equipment Directive	Sound engineering practice	

SB7244



Flow meter with integrated backflow prevention and display

SBG11KL0FRKG

Mechanical data	
Weight [g]	1602.5
Materials	stainless steel (1.4404 / 316L); PBT+PC-GF30; PBT-GF20; PC; brass chemically nickel-plated
Materials (wetted parts)	stainless steel (316 / 1.4401); stainless steel (1.4404 / 316L); brass (2.0371); brass chemically nickel-plated; PPS; O-ring: FKM
Process connection	threaded connection G 1 internal thread
Switching cycles mechanical	10 million

Displays / operating elements		
Display	Display unit	6 x LED, green
	switching status	2 x LED, yellow
	measured values	alphanumeric display, red/green alternating indication 4-digit
	programming	alphanumeric display, 4-digit

Remarks	
Remarks	Recommendation: use a 200-micron filter.
	All data refer to oil with the following nominal viscosity: 320 cSt, 40 °C ± 3 K
	MW = measured value
	MEW = Final value of the measuring range
Pack quantity	1 pcs.

Electrical connection

Connector: 1 x M12; coding: A; Contacts: gold-plated

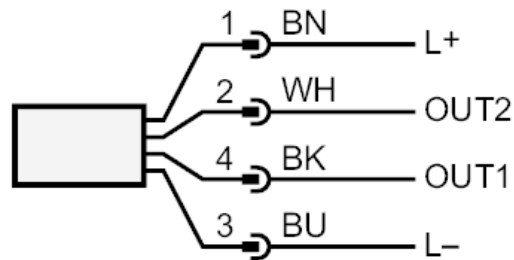




Flow meter with integrated backflow prevention and display

SBG11KL0FRKG

Connection



OUT1:

- switching output volumetric flow quantity monitoring
- switching output Temperature monitoring
- frequency output volumetric flow quantity monitoring
- frequency output Temperature monitoring
- IO-Link

OUT2:

- switching output volumetric flow quantity monitoring
 - switching output Temperature monitoring
 - analogue output volumetric flow quantity monitoring
 - analogue output Temperature monitoring
- colours to DIN EN 60947-5-2

Core colours :

- BK = black
- BN = brown
- BU = blue
- WH = white

Diagrams and graphs

