

PY9934



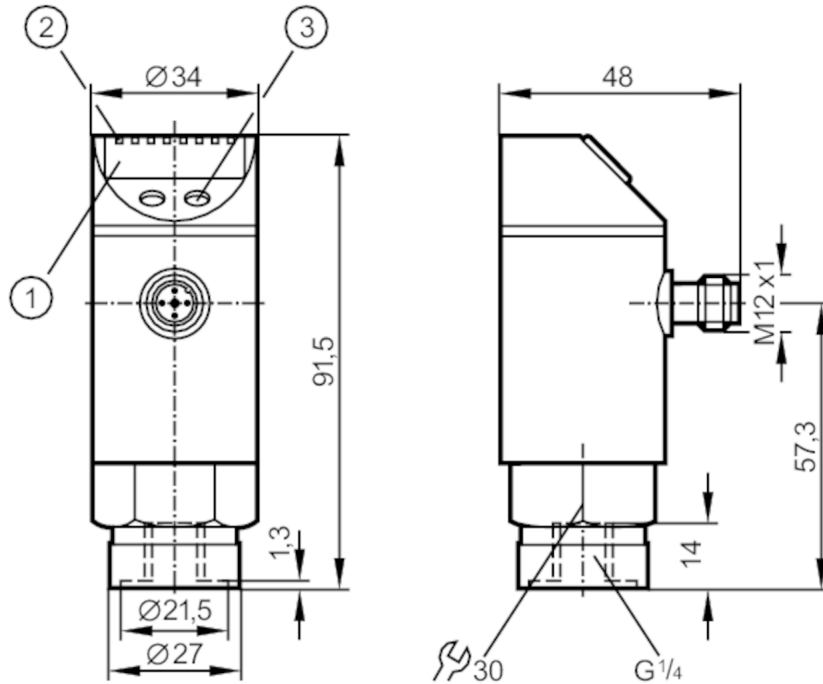
Pressure sensor with display

PN-010-RBR14-QFRKG/US/ IV

Article no longer available - archive entry

Alternative articles: PN7094

When selecting an alternative article and accessories please note that technical data may differ!



- 1 alphanumeric display 4-digit
- 2 LEDs Display unit / switching status
- 3 programming button



Product characteristics

Number of inputs and outputs	Number of digital outputs: 2		
Measuring range	0...10 bar	0...145 psi	0...1 MPa
Process connection	threaded connection G 1/4 internal thread		

Application

Special feature	Gold-plated contacts		
Media	liquids and gases		
Medium temperature [°C]	-25...80		
Min. burst pressure	150 bar	2175 psi	15 MPa
Pressure rating	75 bar	1087 psi	7.5 MPa
Type of pressure	relative pressure		

Electrical data

Operating voltage [V]	18...36 DC; (to SELV/PELV)		
Current consumption [mA]	< 50		
Min. insulation resistance [MΩ]	100; (500 V DC)		
Protection class	III		
Reverse polarity protection	yes		

PY9934



Pressure sensor with display

PN-010-RBR14-QFRKG/US/ /V

Overvoltage protection		yes; (< 40 V)
Power-on delay time	[s]	0.3
Integrated watchdog		yes

Inputs / outputs

Number of inputs and outputs		Number of digital outputs: 2
------------------------------	--	------------------------------

Outputs

Total number of outputs		2
Output signal		switching signal
Electrical design		PNP/NPN
Number of digital outputs		2
Output function		normally open / normally closed; (parameterisable)
Max. voltage drop switching output DC	[V]	2
Permanent current rating of switching output DC	[mA]	250
Switching frequency DC	[Hz]	< 170
Short-circuit protection		yes
Type of short-circuit protection		pulsed

Measuring/setting range

Measuring range	0...10 bar	0...145 psi	0...1 MPa
Set point SP	0.1...10 bar	2...145 psi	0.01...1 MPa
Reset point rP	0.05...9.95 bar	1...144 psi	0.005...0.995 MPa
In steps of	0.05 bar	1 psi	0.005 MPa

Accuracy / deviations

Switch point accuracy [% of the final value]		< ± 0,5
Repeatability [% of the final value]		< ± 0,1; (with temperature fluctuations < 10 K)
Characteristics deviation [% of the final value]		< ± 0,5
Hysteresis deviation [% of the final value]		< ± 0,25
Long-term stability [% of the final value]		< ± 0,05
Temperature drift per 10 K		< ± 0.65

Response times

Delay time programmable dS, dr	[s]	0; 0,2...50
--------------------------------	-----	-------------

Software / programming

Parameter setting options		hysteresis / window; normally open / normally closed; diagnostic function; switching logic; switch-on/switch-off delay; Damping; Display unit
---------------------------	--	---

Operating conditions

Ambient temperature	[°C]	-20...80
Storage temperature	[°C]	-40...100
Protection		IP 67

PY9934



Pressure sensor with display

PN-010-RBR14-QFRKG/US/ /V

Tests / approvals		
EMC	EN 61000-4-2 ESD	4 kV CD / 8 kV AD
	EN 61000-4-3 HF radiated	10 V/m
	EN 61000-4-4 Burst	2 kV
	EN 61000-4-5 Surge	0,5/1 kV
	EN 61000-4-6 HF conducted	10 V
Shock resistance	DIN IEC 68-2-27	50 g (11 ms)
Vibration resistance	DIN IEC 68-2-6	20 g (10...2000 Hz)
Pressure Equipment Directive	Sound engineering practice; can be used for group 2 fluids; group 1 fluids on request	
Mechanical data		
Weight [g]	260.5	
Housing	cylindrical	
Dimensions [mm]	Ø 34 / L = 91.5	
Materials	stainless steel (304/1.4301); stainless steel (316L/1.4404); PC; PBT; PEI; FPM	
Materials (wetted parts)	stainless steel (303/1.4305); ceramics; FPM	
Min. pressure cycles	100 million	
Process connection	threaded connection G 1/4 internal thread	
Restrictor element integrated	no (can be retrofitted)	
Displays / operating elements		
Display	Display unit	3 x LED, green
	switching status	2 x LED, yellow
	function display	alphanumeric display, 4-digit
	measured values	alphanumeric display, 4-digit
Remarks		
Remarks	The unit is a special version of the PN70xx series. For the special version the pressure compensation channel is closed. This increases the protection rating.	
Pack quantity	1 pcs.	

PY9934

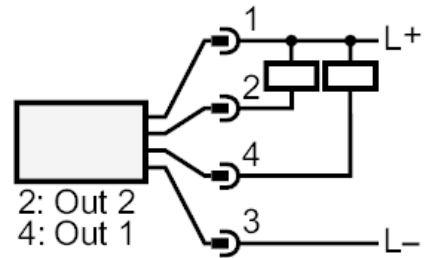
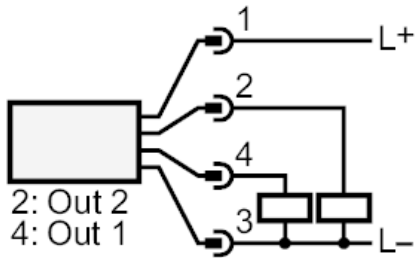


Pressure sensor with display

PN-010-RBR14-QFRKG/US/ IV

Electrical connection

Connector: 1 x M12; coding: A; Contacts: gold-plated



OUT1 switching output
OUT2 switching output
 Diagnostic output