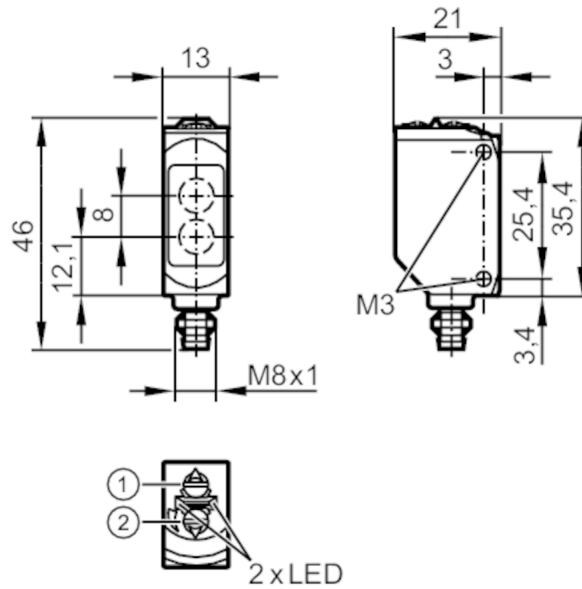


O6P203



Retro-reflective sensor

O6P-FPKG/ASJ4P



- 1: output function switch
- 2: potentiometer sensitivity receiver in upper lens transmitter in lower lens



Product characteristics	
Type of light	red light
Housing	rectangular
Application	
Special feature	polarisation filter
Function principle	Retro-reflective sensor
Electrical data	
Operating voltage [V]	10...30 DC
Current consumption [mA]	12; ((24 V))
Protection class	III
Reverse polarity protection	yes
Type of light	red light
Wave length [nm]	633
Outputs	
Electrical design	PNP
Output function	light-on/dark-on mode; (selectable)
Max. voltage drop switching output DC [V]	2.5
Permanent current rating of switching output DC [mA]	100
Switching frequency DC [Hz]	1000
Short-circuit protection	yes
Type of short-circuit protection	pulsed

O6P203



Retro-reflective sensor

O6P-FPKG/AS/4P

Detection zone		
Range referred to prismatic reflector	[m]	0.05...5; (Prismatic reflector Ø 80 E20005)
Range adjustable		yes
Max. light spot diameter	[mm]	150
Light spot dimensions refer to		at maximum range
Polarisation filter available		yes

Operating conditions		
Ambient temperature	[°C]	-25...60
Storage temperature	[°C]	-40...70
Max. relative air humidity	[%]	50; (70° C)
Protection		IP 65; IP 67

Tests / approvals		
EMC		EN 60947-5-2
MTTF	[years]	683
UL approval		UL Approval no. E001

Mechanical data		
Weight	[g]	18.4
Housing		rectangular
Dimensions	[mm]	46 x 13 x 21
Materials		housing: ABS; PPSU
Lens material		PMMA
Lens alignment		side lens
Sealing material		EPDM
Tightening torque	[Nm]	0.5

Displays / operating elements		
Display	switching status	1 x LED, yellow
	operation	1 x LED, green

Remarks		
Remarks		operating voltage "supply class 2" according to cULus
Pack quantity		1 pcs.

Electrical connection

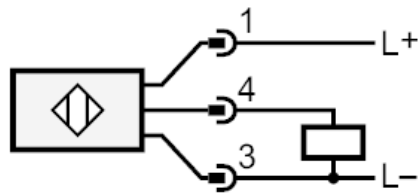
Connector: 1 x M8; coding: A; Locking: brass, coated; Sealing: EPDM



Retro-reflective sensor

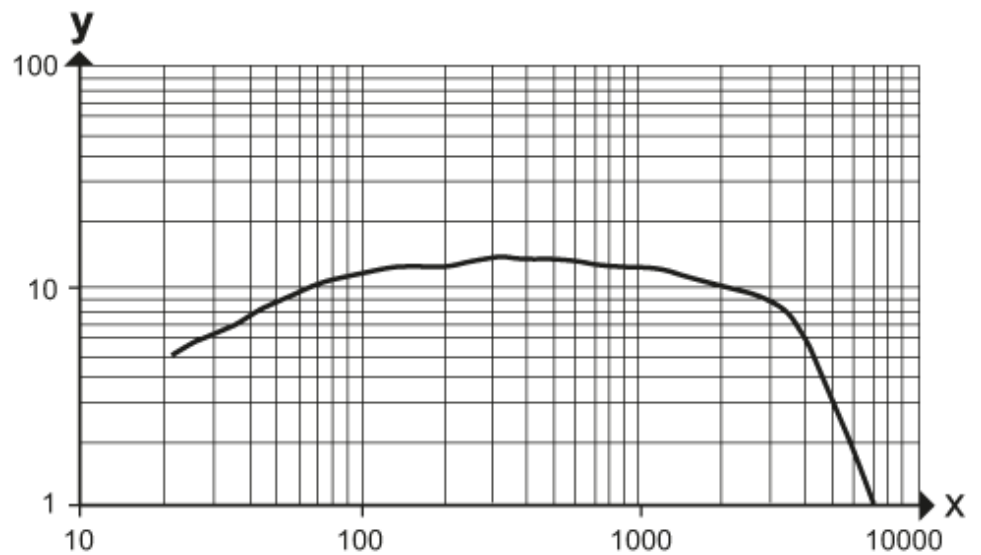
O6P-FPKG/AS/4P

Connection



Diagrams and graphs

excess gain graph



x: distance [mm]

y: excess gain factor