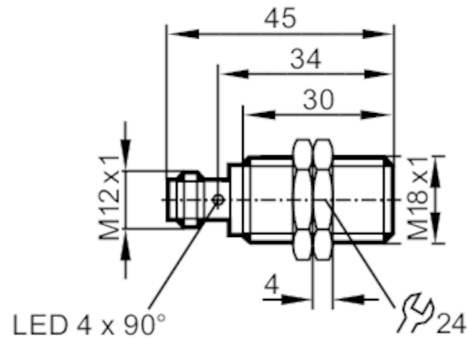


IGS204



Inductive sensor

IGB3008BBPKG/US-104



Product characteristics

Electrical design	PNP
Output function	normally open
Sensing range [mm]	8
Housing	threaded type
Dimensions [mm]	M18 x 1 / L = 45

Application

Special feature	Gold-plated contacts; Increased sensing range
Application	Industrial applications / factory automation

Electrical data

Operating voltage [V]	10...30 DC
Current consumption [mA]	< 10
Protection class	II
Reverse polarity protection	yes

Outputs

Electrical design	PNP
Output function	normally open
Max. voltage drop switching output DC [V]	2.5
Permanent current rating of switching output DC [mA]	100
Switching frequency DC [Hz]	400
Short-circuit protection	yes
Overload protection	yes

Detection zone

Sensing range [mm]	8
Real sensing range Sr [mm]	8 ± 10 %
Operating distance [mm]	0...6.48
Increased sensing range	yes

Accuracy / deviations

Correction factor	steel: 1 / stainless steel: 0.7 / brass: 0.5 / aluminium: 0.4 / copper: 0.3
Hysteresis [% of Sr]	3...15

IGS204



Inductive sensor

IGB3008BBPKG/US-104

Switch point drift	[% of Sr]	-10...10
--------------------	-----------	----------

Operating conditions

Ambient temperature	[°C]	-25...70
---------------------	------	----------

Protection		IP 67
------------	--	-------

Tests / approvals

EMC	EN 61000-4-2 ESD	4 kV CD / 8 kV AD
	EN 61000-4-3 HF radiated	10 V/m
	EN 61000-4-4 Burst	2 kV
	EN 61000-4-6 HF conducted	10 V
	EN 55011	class B

MTTF	[years]	1134
------	---------	------

Embedded software included		no
----------------------------	--	----

UL approval	Ta	0...40 °C
	Enclosure type	Type 1
	power supply	Hazardous voltage
	UL Approval no.	A003
	File number UL	E174191

Mechanical data

Weight	[g]	42.7
--------	-----	------

Housing		threaded type
---------	--	---------------

Mounting		flush mountable
----------	--	-----------------

Dimensions	[mm]	M18 x 1 / L = 45
------------	------	------------------

Thread designation		M18 x 1
--------------------	--	---------

Materials		housing: brass white bronze coated; sensing face: PBT orange; LED window: PEI; lock nuts: brass white bronze coated
-----------	--	--

Displays / operating elements

Display	switching status	4 x LED, yellow
---------	------------------	-----------------

Accessories

Items supplied		lock nuts: 2
----------------	--	--------------

Remarks

Pack quantity		1 pcs.
---------------	--	--------

Electrical connection - plug

Connector: 1 x M12; coding: A; Contacts: gold-plated



IGS204



Inductive sensor

IGB3008BBPKG/US-104

Connection

