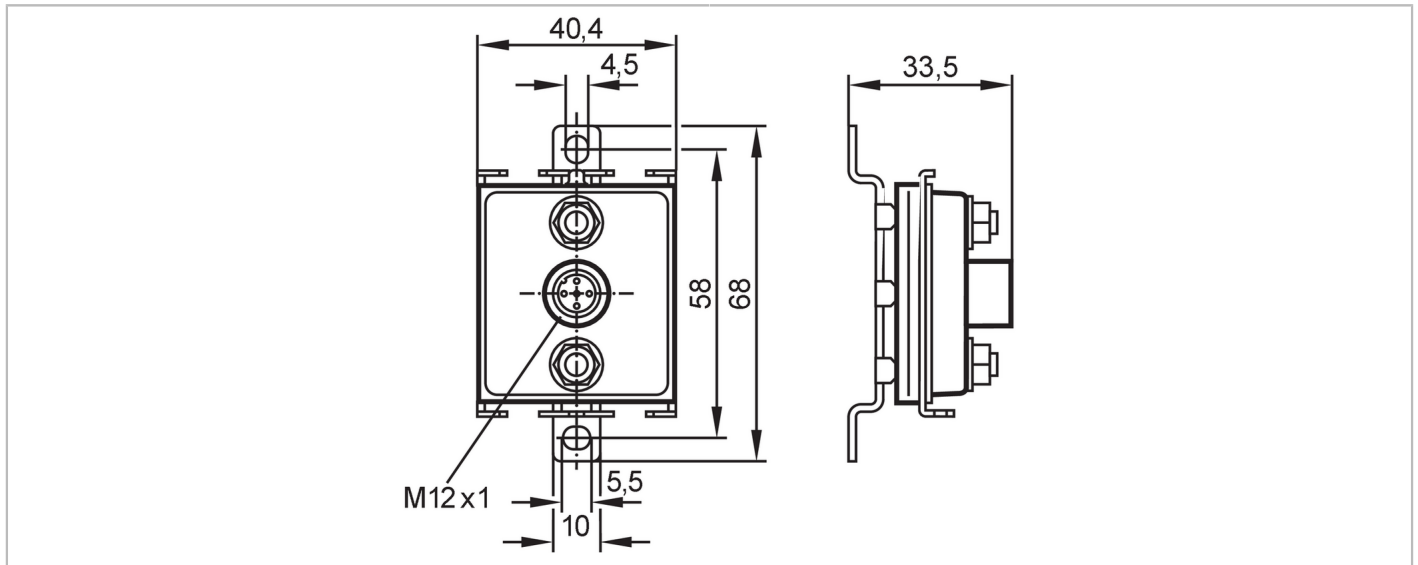


# E70354



## AS-Interface flat cable insulation displacement connector

FCE Splitter ye/bk ProcessL



Application	
Design	AS-i / 24 V
Electrical data	
Operating voltage [V]	26.5...31.6 DC; (AS-i)
Protection class	III
Operating voltage AUX DC [V]	18...32
Max. current load total [A]	4; (AS-i: 2 A; AUX: 2 A)
Operating conditions	
Ambient temperature [°C]	-30...80
Max. relative air humidity [%]	80; (31 °C; linearly decreasing to 50 % (40 °C))
Max. height above sea level [m]	2000
Protection	IP 67; IP 68; IP 69K
Pollution degree	2
Tests / approvals	
EMC	EN 61000-6-2
Mechanical data	
Weight [g]	112.3
Materials	metal parts: stainless steel (316L/1.4404); rubber gasket for contact pins: FPM; O-ring: EPDM
Tightening torque [Nm]	2.5; (lock nuts)
Accessories	
Accessories (optional)	Torque wrench, E70390
Remarks	
Pack quantity	1 pcs.

# E70354

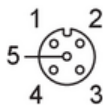


## AS-Interface flat cable insulation displacement connector

FCE Splitter ye/bk ProcessL

### Electrical connection - socket

Connector: 1 x M12; coding: A; Tightening torque: 1.2...1.4 Nm



### Connection

1	AS-i +
2	0 V
3	AS-i -
4	+ 24 V
5	n. c.