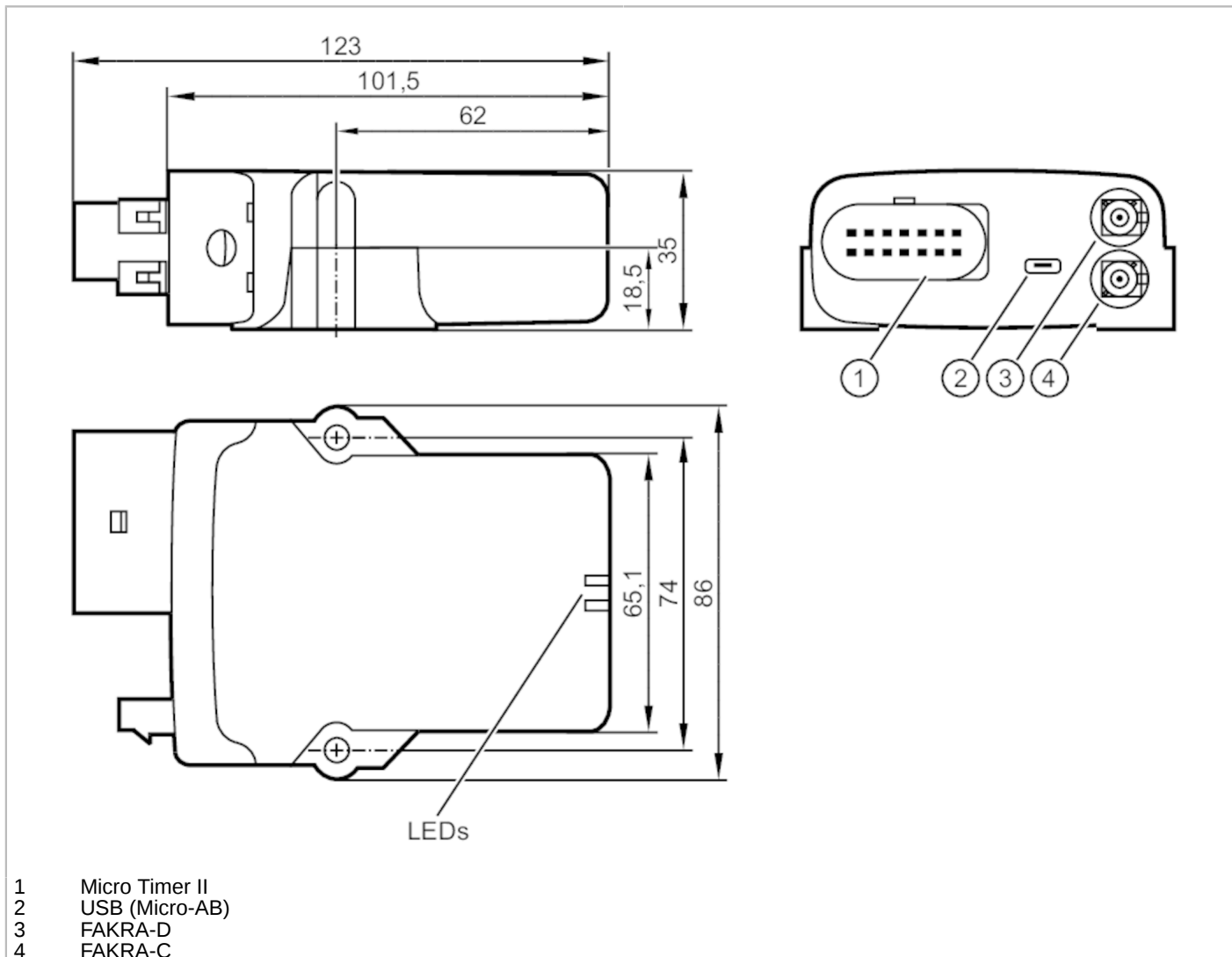


CR3158



CAN LTE/GNSS radio modem

mIoT/Gateway 4G/EXT



Application	
Radio approval for	EU/RED; USA; Canada
Note on radio approval	The list of countries applying the European Radio Equipment Directive 2014/53/EU (RED) can be found under "Downloads".
Electrical data	
Operating voltage [V]	8...32 DC
Nominal voltage DC [V]	12 / 24
Nominal voltage tolerance [%]	50
Nominal voltage tolerance 2 [%]	50
Current consumption [mA]	< 250; (normal operation; sleep mode: < 500 µA)
Inputs / outputs	
Number of inputs and outputs	Number of analogue inputs: 3; Number of digital outputs: 1
Inputs	
Number of analogue inputs	3
Analogue input (voltage) [V]	0...15



CAN LTE/GNSS radio modem

mIoT/Gateway 4G/EXT

Resolution of analogue input	12 Bit
Outputs	
Number of digital outputs	1
Voltage range DC [V]	6...36
Permanent current rating of switching output DC [mA]	500
Measuring/setting range	
Acceleration measurement	
Resolution	16 bit
Sampling rate [Hz]	10
Number of measurement axes	3
Measuring range acceleration [g]	± 16
Inclination measurement	
Resolution	16 bit
Sampling rate [Hz]	10
Number of measurement axes	3
Measuring range vehicle yaw rate [°/s]	± 250
Interfaces	
Communication interface	CAN; WLAN; Bluetooth; Mobile networks
Number of CAN interfaces	3
Number of USB interfaces	1
Bluetooth	
Transmission standard	EDR 2.1; EDR 5.0
Transmission power [mW]	22.39; (Antenna integrated)
CAN	
Interface	CAN Interface 2.0 A/B ISO 11898
Note on interfaces	CAN2: Electrically separated
Mobile networks	
Transmission standard	GSM; GPRS; EDGE; UMTS; HSPA; 3G; 4G; LTE Cat-4
Frequency band	GSM / GPRS / EDGE / 2G: 850 / 900 / 1800 / 1900; UMTS / HSPA / 3G: 850 (B5) / 900 (B8) / 1700 (B4) / 1900 (B2) / 2100 (B1); 4G / LTE Cat 4: 700 (B12, B17) / 750 (B13, B28) / 800 (B20) / 850 (B5) / 900 (B8) / 1700 (B4) 1800 (B3) / 1900 (B2) / 2100 (B1) / 2600 (B7)
Note on interfaces	SIM card onboard
USB	
Connector type	Mirco-AB
Usage type	firmware update
WLAN	
Transmission standard	IEEE 802.11 a/b/g/n
Frequency band	2,4 GHz; 5 GHz
Transmission power [mW]	53.23; (2,4 GHz; 22,39 mW; 5 GHz; Antenna integrated)
Operating conditions	
Ambient temperature [°C]	-40...85

CR3158



CAN LTE/GNSS radio modem

mIoT/Gateway 4G/EXT

Protection	IP 67
------------	-------

Tests / approvals

Standard	EN 61000-6-2; EN 61000-6-3; IEC 62368-1; UN/ECE-R10; EN ISO 13766-1; ISO 7637-2; IEC 60068-2-30; IEC 60068-2-6; IEC 60068-2-27; IEC 60068-2-31
----------	--

Mechanical data

Weight [g]	248
Materials	housing: PA black

Displays / operating elements

Display	status	2 x LED, multi-colour
---------	--------	-----------------------

Hardware

Processor	ARM Cortex M4 based STM32 (168 MHz)
Working memory	Program Flash: 1 MB FRAM: 32 KB SRAM: 1280 KB
Mass storage	128 MB

Data memories

Real-time clock	yes; UTC, battery buffered
-----------------	----------------------------

Remarks

Pack quantity	1 pcs.
---------------	--------

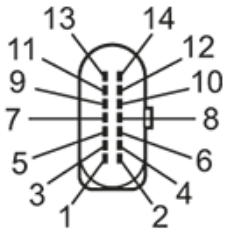
Electrical connection - GPS / GNSS

Connector: FAKRA C

Electrical connection - GSM / UMTS / LTE Cat 4

Connector: FAKRA D

Electrical connection - plug



1	supply VCC terminal 30
2	CAN3_L bidirectional
3	GND terminal 31
4	analogue input 1
5	analogue input 2
6	analogue input 3
7	digital output
8	digital input terminal 15
9	CAN3_H bidirectional
10	CAN2_GND
11	CAN2_H bidirectional
12	CAN2_L bidirectional
13	CAN1_H bidirectional
14	CAN1_L bidirectional