

# IV5053

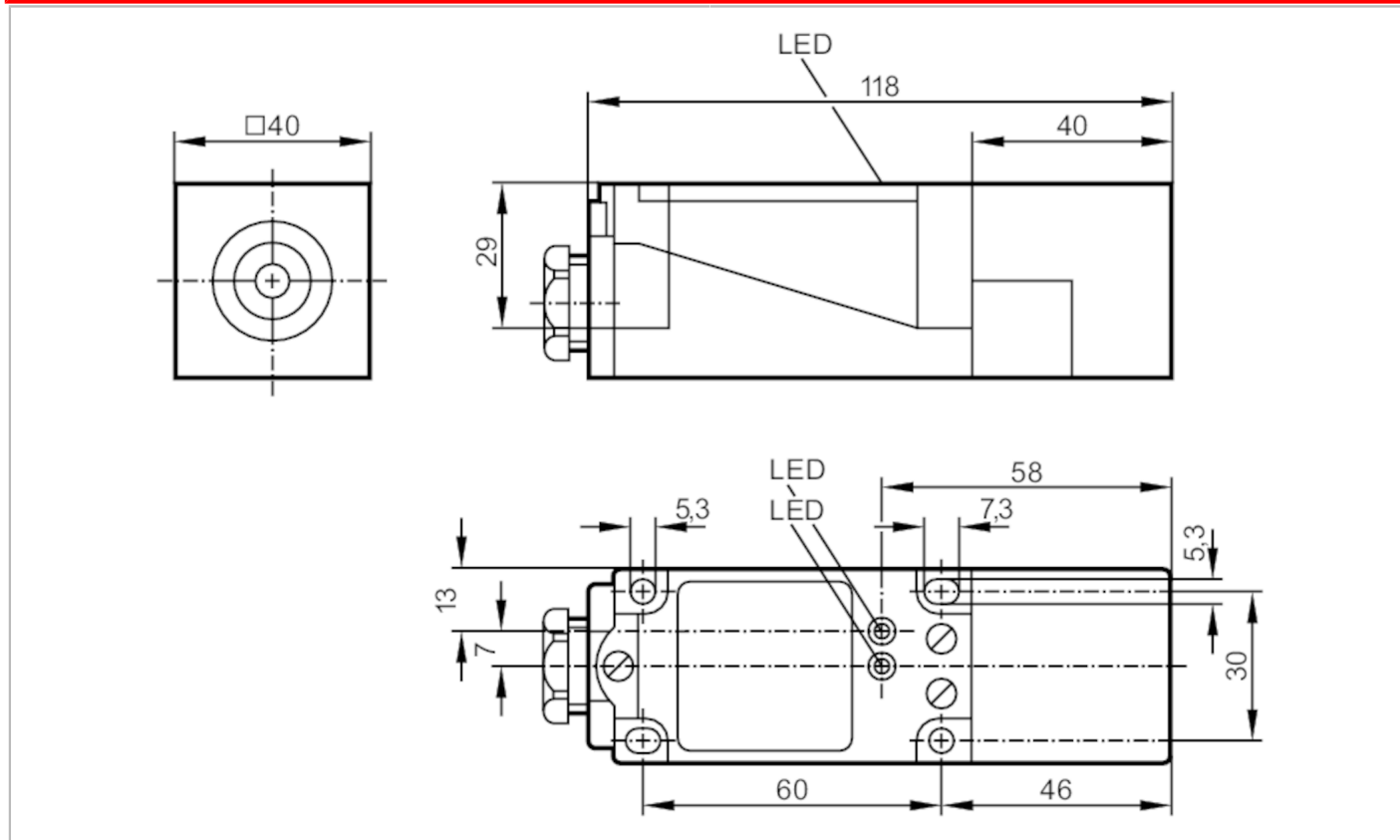


## Inductive sensor

IVE4020ZCPKG

discontinued article

Alternative article: IV5058 When selecting an alternative article and accessories please note that technical data may differ! – When selecting an alternative article and accessories please note that technical data may differ! – Discontinuation date: 31.03.2017



### Product characteristics

Electrical design		PNP
Output function		complementary
Sensing range	[mm]	20
Housing		rectangular
Dimensions	[mm]	40 x 40 x 118

### Electrical data

Operating voltage	[V]	10...30 DC
Current consumption	[mA]	20; (24 V)
Protection class		II
Reverse polarity protection		yes

# IV5053



## Inductive sensor

IVE4020ZCPKG

Outputs		
Electrical design		PNP
Output function		complementary
Max. voltage drop switching output DC	[V]	3
Permanent current rating of switching output DC	[mA]	200
Switching frequency DC	[Hz]	150
Short-circuit protection		yes
Type of short-circuit protection		pulsed
Overload protection		yes
Detection zone		
Sensing range	[mm]	20
Real sensing range Sr	[mm]	20 ± 10 %
Operating distance	[mm]	0...16.2
Accuracy / deviations		
Correction factor		steel: 1 / stainless steel: 0.7 / brass: 0.4 / aluminium: 0.3 / copper: 0.2
Hysteresis	[% of Sr]	1...15
Switch point drift	[% of Sr]	-10...10
Operating conditions		
Ambient temperature	[°C]	-25...100
Protection		IP 67
Tests / approvals		
EMC	EN 60947-5-2	class B
	EN 55011	
Mechanical data		
Weight	[g]	265
Housing		rectangular
Mounting		non-flush mountable
Dimensions	[mm]	40 x 40 x 118
Materials		PBT
Displays / operating elements		
Display	switching status	1 x LED, yellow
	operation	1 x LED, green
Remarks		
Remarks		5 positions of the active zone possible Cable gland (E11270) to be ordered separately
Pack quantity		1 pcs.

# IV5053



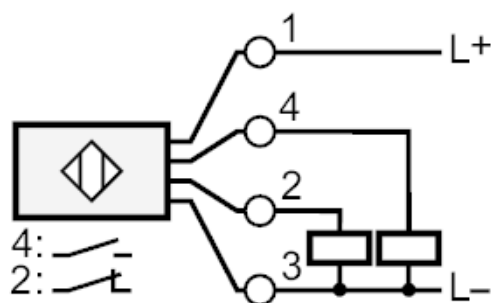
## Inductive sensor

IVE4020ZCPKG

### Electrical connection

terminals: ...2.5 mm<sup>2</sup>; Cable sheath: Ø 7...13 mm; Cable gland: M20 X 1.5

### Connection



discontinued article

Alternative article: IV5058 When selecting an alternative article and accessories please note that technical data may differ! – When selecting an alternative article and accessories please note that technical data may differ! – Discontinuation date: 31.03.2017