

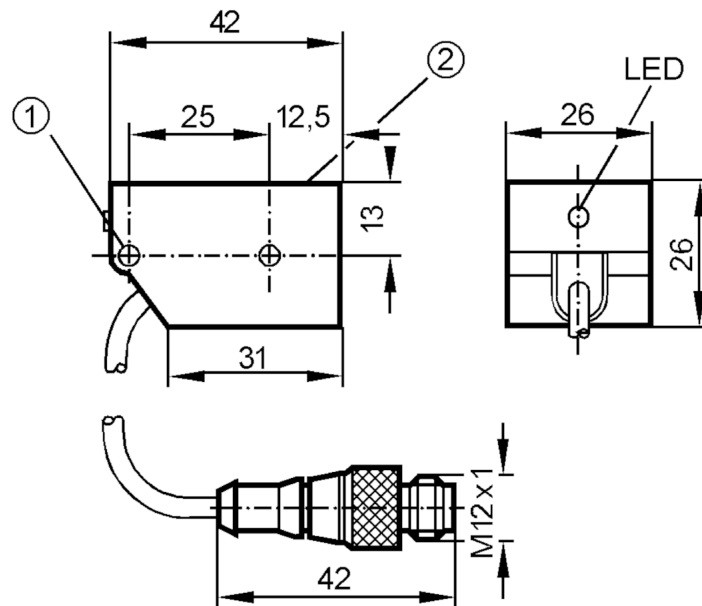
# IO5013



## Inductive sensor

IOC2010-ARKG/0,80M/PUR/US/LATE

Article no longer available - archive entry



- 1 mounting holes M4 reinforced
- 2 Sensing face



### Product characteristics

|                   |      |               |
|-------------------|------|---------------|
| Electrical design |      | PNP/NPN       |
| Output function   |      | normally open |
| Sensing range     | [mm] | 10            |
| Housing           |      | rectangular   |
| Dimensions        | [mm] | 26 x 26 x 42  |

### Electrical data

|                             |     |            |
|-----------------------------|-----|------------|
| Operating voltage           | [V] | 10...55 DC |
| Protection class            |     | II         |
| Reverse polarity protection |     | yes        |

# IO5013



## Inductive sensor

IOC2010-ARKG/0,80M/PUR/US/LATE

| Outputs   |                  |   |
|---|------------------|---|
| Electrical design                               |                  | PNP/NPN   |
| Output function                                 |                  | normally open   |
| Max. voltage drop switching output DC           | [V]              | 4.5   |
| Minimum load current                            | [mA]             | 4   |
| Max. leakage current                            | [mA]             | 0.6   |
| Permanent current rating of switching output DC | [mA]             | 100   |
| Switching frequency DC                          | [Hz]             | 250   |
| Short-circuit protection                        |                  | yes   |
| Type of short-circuit protection                |                  | pulsed  |
| Overload protection                             |                  | yes   |
| Detection zone                                  |                  |   |
| Sensing range                                   | [mm]             | 10  |
| Real sensing range Sr                           | [mm]             | 10 ± 10 %   |
| Operating distance                              | [mm]             | 0...8.1   |
| Accuracy / deviations                           |                  |   |
| Correction factor                               |                  | steel: 1 / stainless steel: 0.7 / brass: 0.4 / aluminium: 0.3 / copper: 0.2 |
| Hysteresis                                      | [% of Sr]        | 1...15  |
| Switch point drift                              | [% of Sr]        | -10...10  |
| Operating conditions                            |                  |   |
| Ambient temperature                             | [°C]             | -25...80  |
| Protection                                      |                  | IP 67   |
| Tests / approvals                               |                  |   |
| EMC   |                  | EN 60947-5-2  |
| Mechanical data                                 |                  |   |
| Housing   |                  | rectangular   |
| Sensing face                                    |                  | side  |
| Mounting  |                  | flush mountable   |
| Dimensions                                      | [mm]             | 26 x 26 x 42  |
| Materials                                       |                  | PBT   |
| Displays / operating elements                   |                  |   |
| Display   | switching status | 1 x LED, yellow   |
| Remarks   |                  |   |
| Pack quantity                                   |                  | 1 pcs.  |
| Electrical connection - plug                    |                  |   |
| Cable: 0.8 m, PUR                               |                  |   |
| Connector: 1 x M12                              |                  |   |

# IO5013

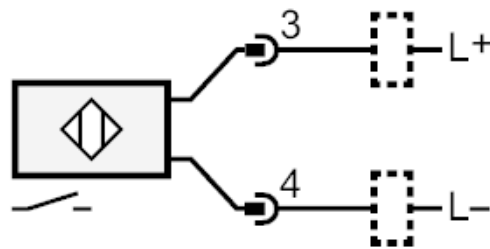


## Inductive sensor

IOC2010-ARKG/0,80M/PUR/US/LATE



### Connection



Article no longer available - archive entry