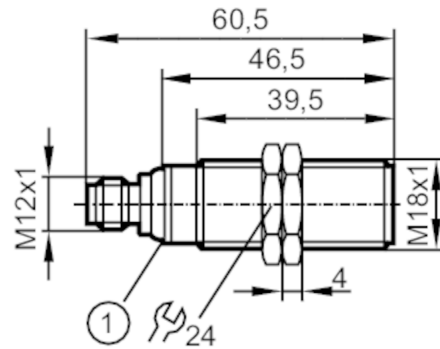


UGT521



Ultrasonic sensor

UGB00300FOK/US



1 LEDs



Product characteristics

| | |
|--------------------|--|
| Electrical design | NPN |
| Output function | normally open / normally closed; (parameterisable) |
| Sensing range [mm] | 40...300; (Target: 200 x 200 mm) |
| Housing | threaded type |
| Dimensions [mm] | M18 x 1 / L = 60.5 |

Electrical data

| | |
|-----------------------------|---|
| Operating voltage [V] | 10...30 DC; ("supply class 2" to cULus) |
| Current consumption [mA] | < 35 |
| Protection class | III |
| Reverse polarity protection | yes |
| Power-on delay time [s] | < 0.3 |
| Converter frequency [kHz] | 300 |

Inputs / outputs

| | |
|------------------------------|------------------------------|
| Number of inputs and outputs | Number of digital outputs: 1 |
|------------------------------|------------------------------|

Inputs

| | |
|-----------------------|----|
| Synchronisation input | no |
| Multiplex input | no |

Outputs

| | |
|--|--|
| Total number of outputs | 1 |
| Electrical design | NPN |
| Number of digital outputs | 1 |
| Output function | normally open / normally closed; (parameterisable) |
| Max. voltage drop switching output DC [V] | 2.2 |
| Permanent current rating of switching output DC [mA] | 100 |
| Switching frequency DC [Hz] | 8 |
| Short-circuit protection | yes |
| Overload protection | yes |

UGT521



Ultrasonic sensor

UGB00300FOKG/US

| Detection zone | | |
|---|---------------------------|--|
| Sensing range | [mm] | 40...300; (Target: 200 x 200 mm) |
| Blind zone | [mm] | 40 |
| Angle of aperture cylindrical | [°] | 15; (±2) |
| Max. deviation from the 90° angle sensor/object | [°] | ± 4 |
| Accuracy / deviations | | |
| Temperature compensation | | yes |
| Hysteresis | [%] | < 1 |
| Switch point drift | [%] | -5...5 |
| Notes on the accuracy / deviation | | The indicated values are reached after a warm-up time of min. 20 minutes |
| Repeatability | | 1 % |
| Resolution | [mm] | 2 |
| Operating conditions | | |
| Ambient temperature | [°C] | -20...70 |
| Storage temperature | [°C] | -30...80 |
| Protection | | IP 67 |
| Tests / approvals | | |
| EMC | EN 61000-4-2 ESD | 4 kV CD / 8 kV AD |
| | EN 61000-4-3 HF radiated | 3 V/m |
| | EN 61000-4-4 Burst | 2 kV |
| | EN 61000-4-6 HF conducted | 3 V |
| | EN 55011 | Class A |
| Vibration resistance | EN 60068-2-6 Fc | (10-55) Hz 1 mm amplitude, oscillation period 5 min., 30 min. per axis at resonance or 55 Hz |
| Shock resistance | EN 60068-2-27 Ea | 30 g 11 ms half-sine; 3 shocks each in every direction of the 3 coordinate axes |
| MTTF | [years] | 215 |
| UL approval | Ta | -20...70 °C |
| | voltage supply | Class 2 |
| | File number UL | E174191 |
| Mechanical data | | |
| Weight | [g] | 79 |
| Housing | | threaded type |
| Dimensions | [mm] | M18 x 1 / L = 60.5 |
| Thread designation | | M18 x 1 |
| Materials | | stainless steel (1.4404 / 316L); PA; epoxy glass ceramics |
| Tightening torque | [Nm] | 50 |
| Displays / operating elements | | |
| Display | switching status | 1 x LED, yellow |
| | echo | 1 x LED, green |
| Accessories | | |
| Items supplied | | lock nuts: 2, stainless steel |

UGT521



Ultrasonic sensor

UGB00300FOKG/US

Remarks

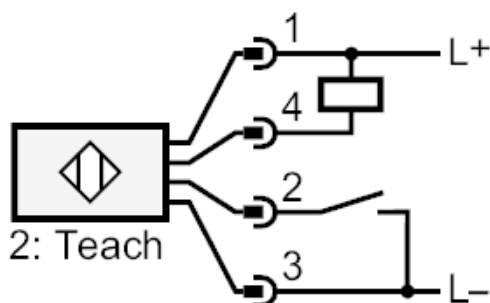
| | |
|---------------|---|
| Remarks | operating voltage "supply class 2" according to cULus |
| Pack quantity | 1 pcs. |

Electrical connection

Connector: 1 x M12

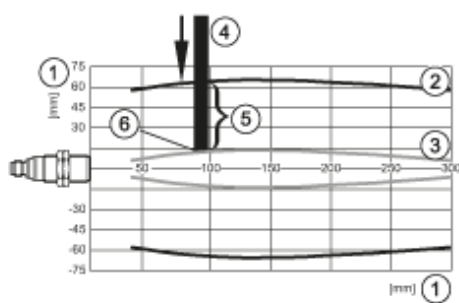
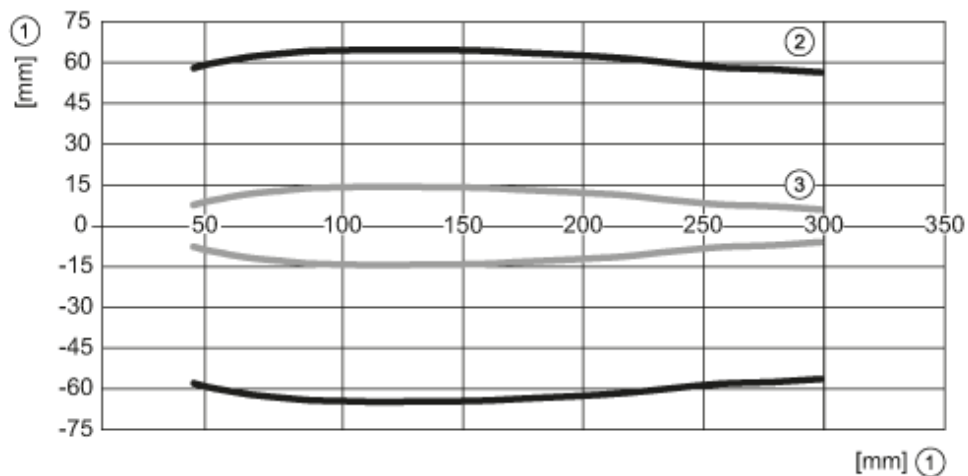


Connection



2: Teach

Diagrams and graphs



- 1: distance
- 2: Detection zone
- 3: switch-on/switch-off graph
- 4: Target 100 x 100 mm
- 5: 50% of the target in the detection zone
- 6: switch point