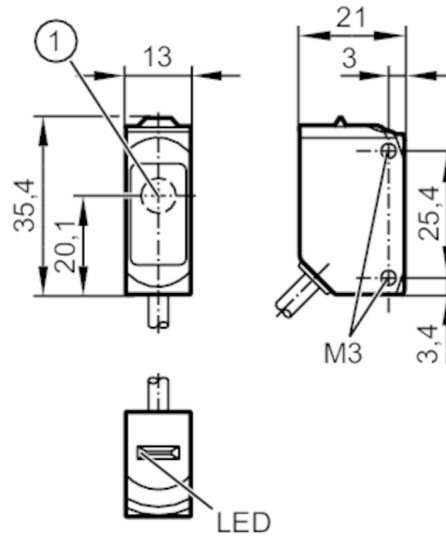


O6S200



Through-beam sensor transmitter

O6S-00KG



1 light emission



Product characteristics

Type of light	red light
Housing	rectangular
Dimensions [mm]	35.4 x 13 x 21

Application

Function principle	Through-beam sensor
--------------------	---------------------

Electrical data

Operating voltage [V]	10...30 DC
Current consumption [mA]	11; ((24 V))
Protection class	III
Type of light	red light
Wave length [nm]	633

Detection zone

Transmitter / receiver	transmitter
Range [m]	< 10
Max. light spot diameter [mm]	300
Light spot dimensions refer to	at maximum range

Operating conditions

Ambient temperature [°C]	-25...60
Protection	IP 65; IP 67

Tests / approvals

EMC	EN 60947-5-2
MTTF [years]	2600
UL approval	UL Approval no. E007

O6S200



Through-beam sensor transmitter

O6S-00KG

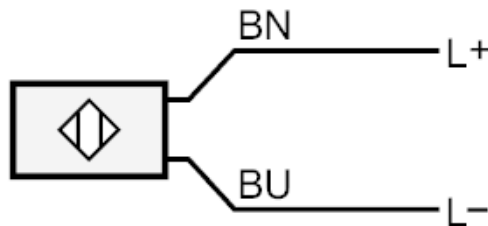
Mechanical data	
Weight [g]	56
Housing	rectangular
Dimensions [mm]	35.4 x 13 x 21
Materials	housing: ABS; PPSU; Sealing: EPDM
Lens material	PMMA
Lens alignment	side lens
Tightening torque [Nm]	0.5

Displays / operating elements		
Display	operation	1 x LED, green

Remarks	
Remarks	operating voltage "supply class 2" according to cULus
Pack quantity	1 pcs.

Electrical connection
Cable: 2 m, PUR; 2 x 0.25 mm²

Connection



Core colours :
BN = brown
BU = blue

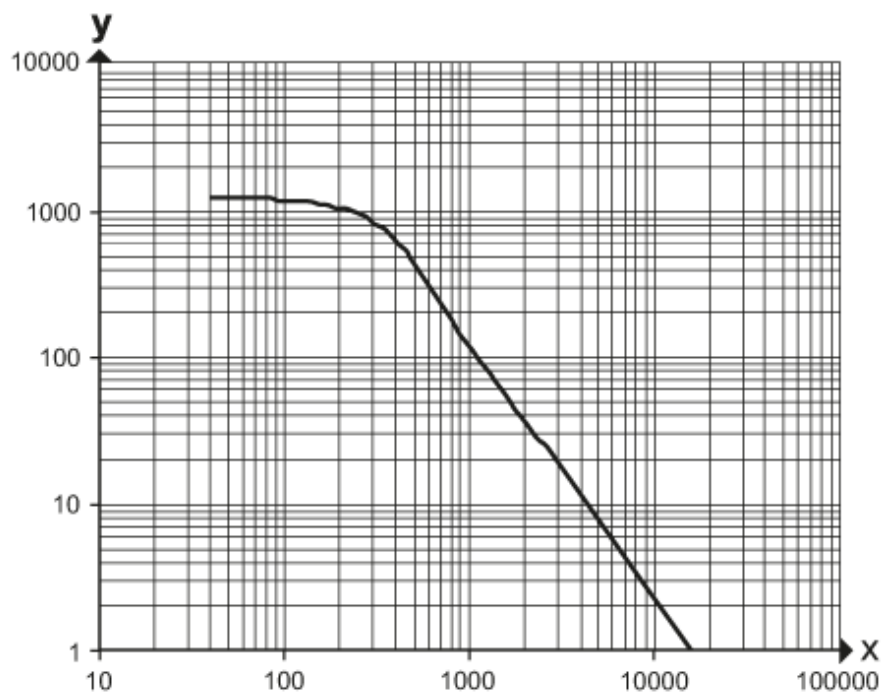


Through-beam sensor transmitter

O6S-00KG

Diagrams and graphs

excess gain graph



x: distance [mm]

y: excess gain factor