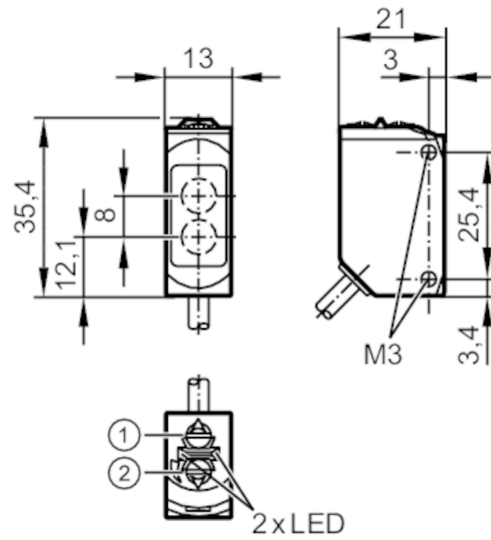


O6P201



Retro-reflective sensor

O6P-FPKG/0,30m/US



- 1: output function switch
- 2: potentiometer sensitivity
- receiver in upper lens
- transmitter in lower lens



Product characteristics

Type of light	red light
Housing	rectangular
Dimensions [mm]	35.4 x 13 x 21

Application

Special feature	polarisation filter
Function principle	Retro-reflective sensor

Electrical data

Operating voltage [V]	10...30 DC
Current consumption [mA]	12; ((24 V))
Protection class	III
Reverse polarity protection	yes
Type of light	red light
Wave length [nm]	633

O6P201



Retro-reflective sensor

O6P-FPKG/0,30m/US

Outputs		
Electrical design		PNP
Output function		light-on/dark-on mode; (selectable)
Max. voltage drop switching output DC	[V]	2.5
Permanent current rating of switching output DC	[mA]	100
Switching frequency DC	[Hz]	1000
Short-circuit protection		yes
Type of short-circuit protection		pulsed
Detection zone		
Range referred to prismatic reflector	[m]	0.05...5; (Prismatic reflector Ø 80 E20005)
Range adjustable		yes
Max. light spot diameter	[mm]	150
Light spot dimensions refer to		at maximum range
Polarisation filter available		yes
Operating conditions		
Ambient temperature	[°C]	-25...60
Storage temperature	[°C]	-40...70
Max. relative air humidity	[%]	50; (70° C)
Protection		IP 65; IP 67
Tests / approvals		
EMC		EN 60947-5-2
MTTF	[years]	895
UL approval		UL Approval no. E012
Mechanical data		
Weight	[g]	33.2
Housing		rectangular
Dimensions	[mm]	35.4 x 13 x 21
Materials		housing: ABS; PPSU; Sealing: EPDM
Lens material		PMMA
Lens alignment		side lens
Tightening torque	[Nm]	0.5
Displays / operating elements		
Display	switching status	1 x LED, yellow
	operation	1 x LED, green
Remarks		
Remarks		operating voltage "supply class 2" according to cULus
Pack quantity		1 pcs.
Electrical connection		
Cable: 0.3 m, PUR; 3 x 0.25 mm ²		
Connector: 1 x M12		

O6P201



Retro-reflective sensor

O6P-FPKG/0,30m/US

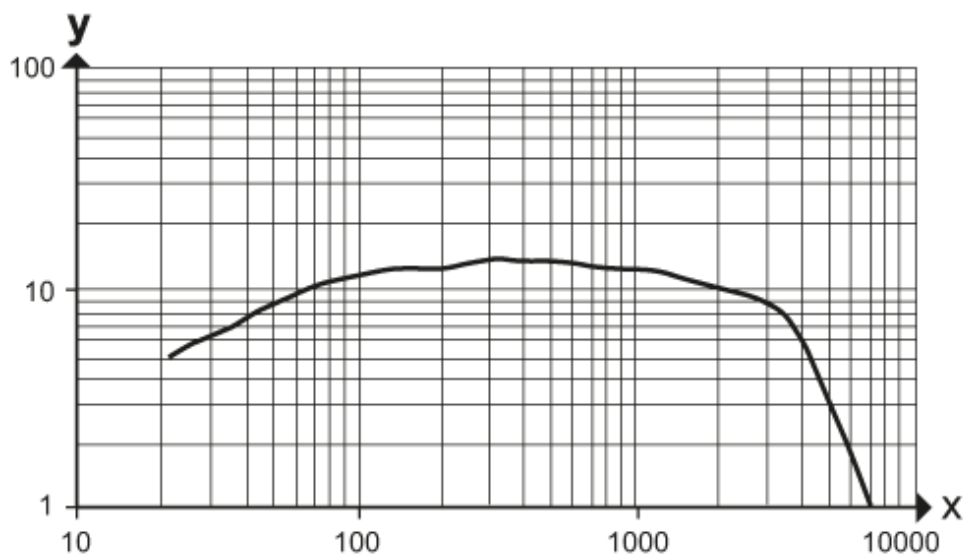


Connection



Diagrams and graphs

excess gain graph



x: distance [mm]

y: excess gain factor