

# E10912



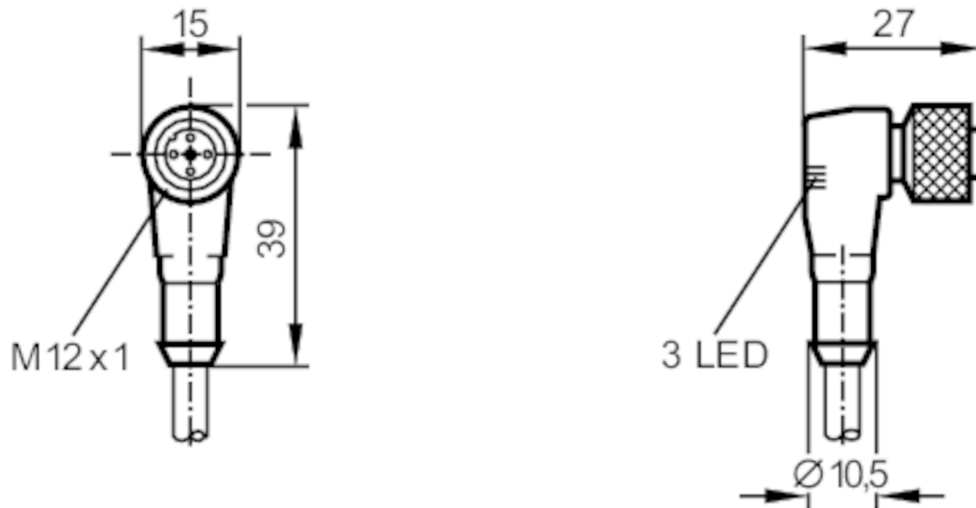
## Connecting cable with socket

ADOAH043SCS0002104

Article no longer available - archive entry

Alternative articles: EVW007

When selecting an alternative article and accessories please note that technical data may differ!



### Application

Special feature	Free from silicone; Halogen-free; Gold-plated contacts
Free from silicone	yes

### Electrical data

Operating voltage	[V]	10...30 DC
Max. current load total	[A]	4

### Outputs

Electrical design	PNP
-------------------	-----

### Operating conditions

Ambient temperature	[°C]	-25...90
Protection	IP 68	

### Mechanical data

Dimensions	[mm]	27 x 15 x 39
Materials	TPU transparent	
Moulded-body material	TPU, transparent	
Material nut	brass, anti-spatter	

### Displays / operating elements

Display	switching status	2 x LED, yellow
	operation	1 x LED, green

# E10912



## Connecting cable with socket

ADOAH043SCS0002104

### Remarks

Pack quantity

1 pcs.

### Electrical connection

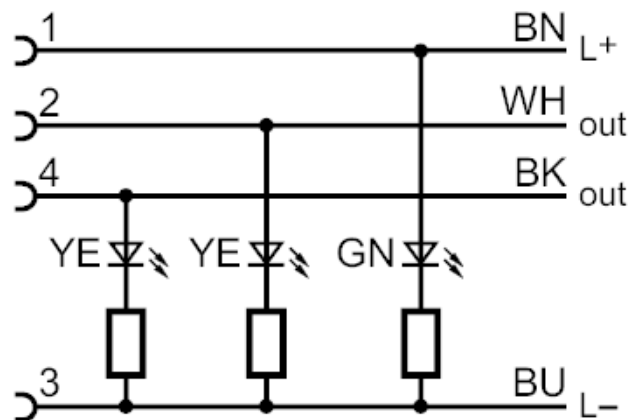
Cable: 2 m, PUR, Halogen-free, black, Ø 4.8 mm; cross-linked; 4 x 0.34 mm<sup>2</sup> (19 x Ø 0.15 mm )

### Electrical connection - socket

Connector: 1 x M12, angled; Moulded body: TPU, transparent; Locking: brass, anti-spatter; Contacts: gold-plated; Tightening torque: 0.5 Nm



### Connection



Core colours :

BK = black  
BN = brown  
BU = blue  
WH = white