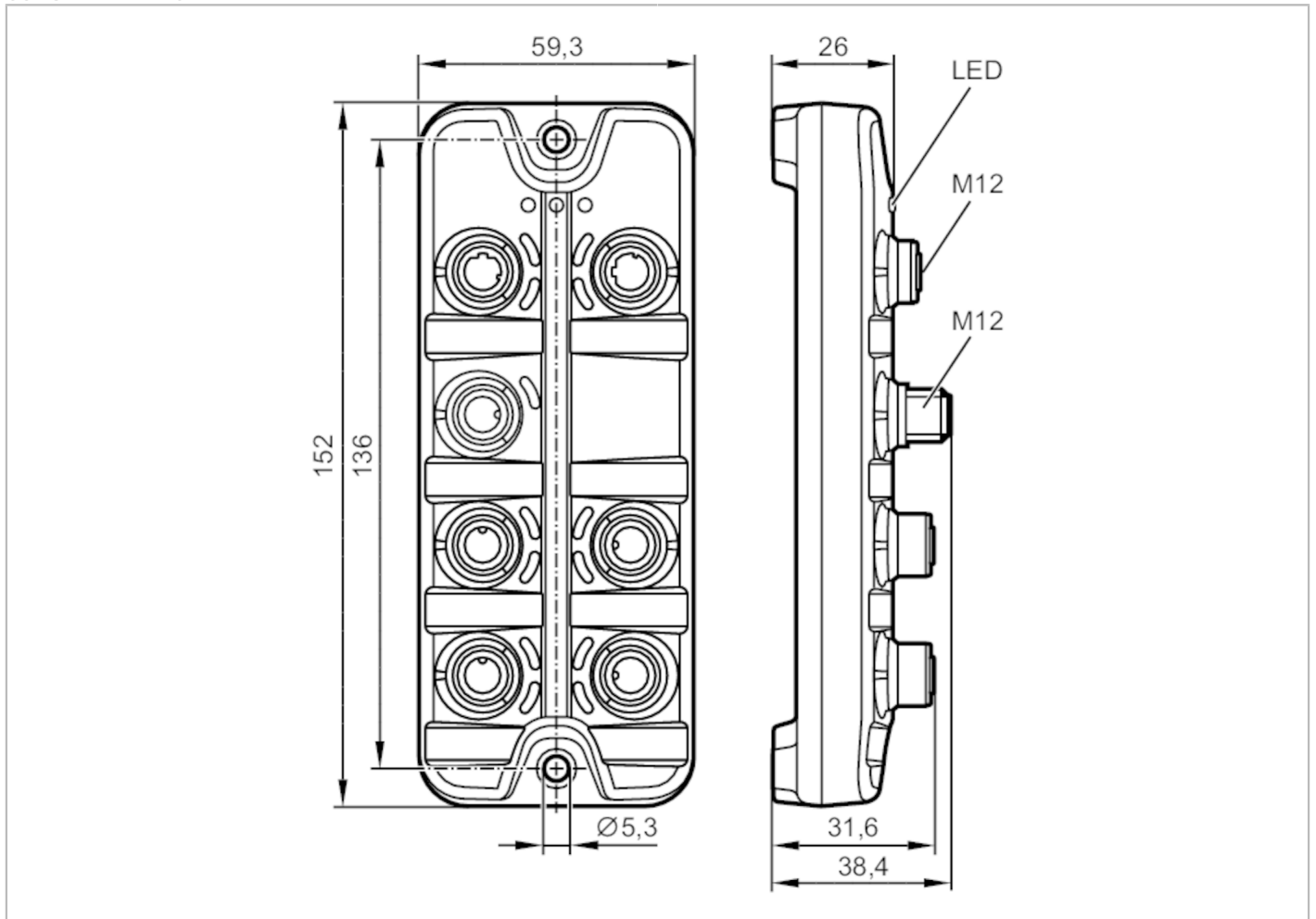


ZZ1121



IO-Link master starter kit - Cube OGH580 - Diffuse reflection sensor

OGH STARTER KIT IO-LINK



Mechanical data	
Weight	[g] 911
Accessories	
Components	IO-Link master StandardLine, PROFINET, AL1100
	Power supply , 230 V / 24 V (M12)
	Ethernet cable , M12 - RJ45; 0.5 m, EVF549
	Connection cable , M12 - M12; 0.6 m, EVC041
	Diffuse reflection sensor, OGH580
	Parameter setting software , LR DEVICE (USB), QA0011
Remarks	
Remarks	For additional information, please refer to the data sheets and installation instructions for the components listed above.
Notes	article can only be ordered once per customer; Introductory price only valid until the end of the year.
Pack quantity	1 pcs.