

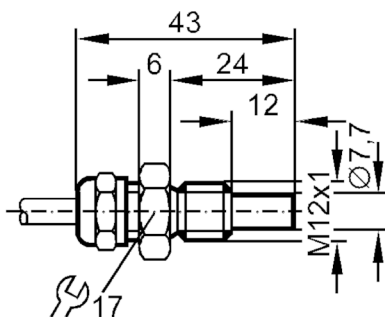
# ST1000



## Flow sensor for connection to an evaluation unit

STM12ABA

Article no longer available - archive entry



Application	
Application	high-temperature range
Media	Liquids; Gases
Medium temperature [°C]	-25...80
Pressure rating [bar]	30
Liquids	
Application	high-temperature range
Medium temperature [°C]	-25...80
Gases	
Medium temperature [°C]	-25...80
Electrical data	
Connection to control monitor	VS 0100
Measuring/setting range	
Liquids	
Setting range [cm/s]	3...300
Greatest sensitivity [cm/s]	3...60
Gases	
Setting range [cm/s]	5...1500
Accuracy / deviations	
Temperature gradient [K/min]	15
Response times	
Response time [s]	1...10
Liquids	
Response time [s]	1...10
Gases	
Response time [s]	1...10
Operating conditions	
Protection	IP 67

# ST1000



## Flow sensor for connection to an evaluation unit

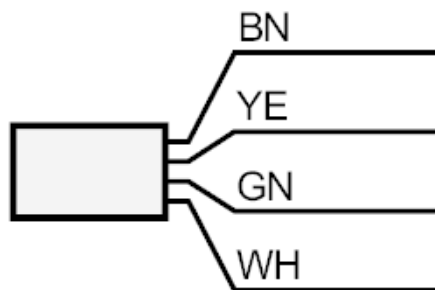
STM12ABA

Mechanical data	
Housing	threaded type
Dimensions [mm]	M12 x 1
Thread designation	M12 x 1
Materials	stainless steel (1.4305 / 303)
Process connection	M12 x 1

Remarks	
Pack quantity	1 pcs.

**Electrical connection**  
Cable: 2 m, Silflex-PUR; Maximum cable length: 100 m; 4 x 0.25 mm<sup>2</sup>

### Connection



Core colours :

- BN = brown
- GN = green
- WH = white
- YE = yellow

Article no longer available - archive entry