

# SF0708

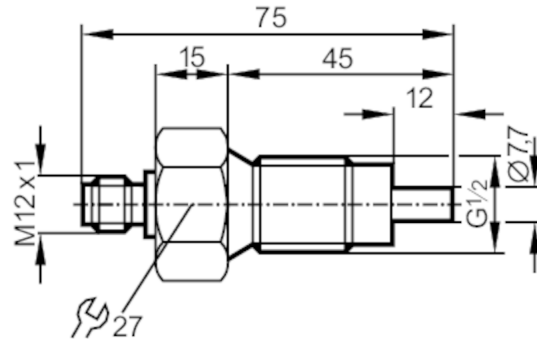


## Flow sensor for connection to an evaluation unit

SFR12ABBE1/US-100

Article no longer available - archive entry

replaced by: SF320A



### Product characteristics

Process connection G 1/2 external thread

### Application

Application Ex zone 1  
 Medium temperature [°C] -25...80  
 Pressure rating [bar] 30

### Liquids

Application Ex zone 1  
 Medium temperature [°C] -25...80

### Gases

Medium temperature [°C] -25...80

### Electrical data

Connection to control monitor VS 0200 Exi

### Measuring/setting range

#### Liquids

Setting range [cm/s] 3...300  
 Greatest sensitivity [cm/s] 3...60

#### Gases

Setting range [cm/s] 200...2000  
 Greatest sensitivity [cm/s] 200...800

### Accuracy / deviations

Temperature gradient [K/min] 15

### Response times

Response time [s] 1...10

#### Liquids

Response time [s] 1...10

#### Gases

Response time [s] 1...10

### Operating conditions

Protection IP 67

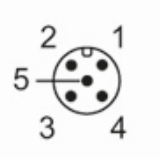
# SF0708



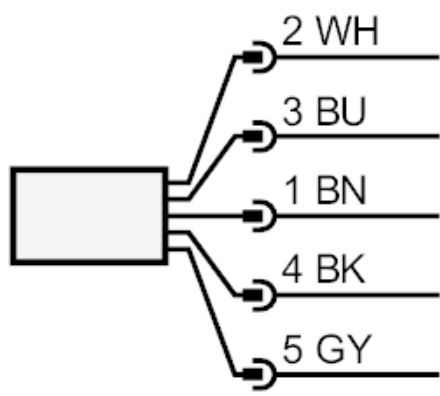
## Flow sensor for connection to an evaluation unit

SFR12ABBE1/US-100

Mechanical data	
Housing	threaded type
Materials	stainless steel (1.4571/316Ti)
Materials (wetted parts)	stainless steel (1.4571/316Ti)
Process connection	G 1/2 external thread
Remarks	
Pack quantity	1 pcs.

Electrical connection	
Connector: 1 x M12; Maximum cable length: 100 m	
	

### Connection



- Core colours :
- BN = brown
  - BU = blue
  - BK = black
  - WH = white
  - GY = grey

Article no longer available - archive entry  
replaced by: SF320A