

SF0701

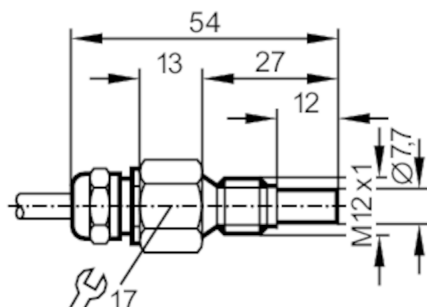


Flow sensor for connection to an evaluation unit

SFM12ABBE1

Article no longer available - archive entry

replaced by: SF121A



Application

Application		Ex zone 1
Medium temperature	[°C]	-25...80
Pressure rating	[bar]	30

Liquids

Application		Ex zone 1
Medium temperature	[°C]	-25...80

Gases

Medium temperature	[°C]	-25...80
--------------------	------	----------

Electrical data

Connection to control monitor		VS 0200 Exi
-------------------------------	--	-------------

Measuring/setting range

Liquids

Setting range	[cm/s]	3...300
Greatest sensitivity	[cm/s]	3...60

Gases

Setting range	[cm/s]	200...2000
Greatest sensitivity	[cm/s]	200...800

Accuracy / deviations

Temperature gradient	[K/min]	15
----------------------	---------	----

Response times

Response time	[s]	1...10
---------------	-----	--------

Liquids

Response time	[s]	1...10
---------------	-----	--------

Gases

Response time	[s]	1...10
---------------	-----	--------

Operating conditions

Protection		IP 67
------------	--	-------

SF0701



Flow sensor for connection to an evaluation unit

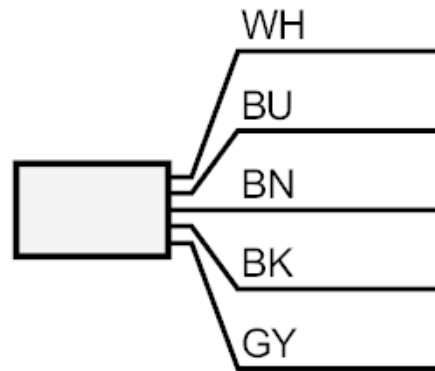
SFM12ABBE1

Mechanical data	
Housing	threaded type
Dimensions [mm]	M12 x 1
Thread designation	M12 x 1
Materials	stainless steel (1.4571/316Ti)
Materials (wetted parts)	stainless steel (1.4571/316Ti)
Process connection	M12 x 1

Remarks	
Pack quantity	1 pcs.

Electrical connection
Cable: 2 m, TPE-S; Maximum cable length: 100 m; 5 x 0.34 mm²

Connection



Core colours :

BN = brown
BU = blue
BK = black
WH = white
GY = grey

Article no longer available - archive entry

replaced by: SF121A