

# RV6154

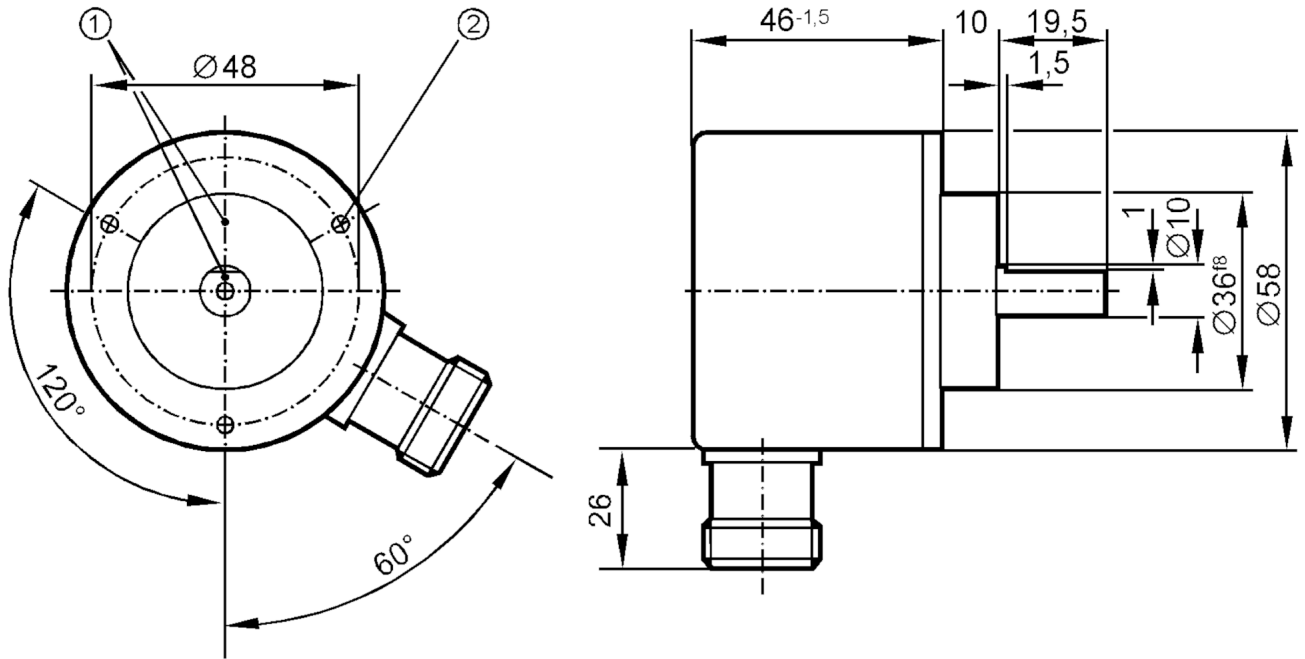


## Incremental encoder with solid shaft

RV-9000-I24/S E

Article no longer available - archive entry

Discontinuation date: 31.03.2016



- 1 reference mark
- 2 M4 Depth 5 mm



### Product characteristics

Resolution	9000 resolution
Shaft design	solid shaft
Shaft diameter [mm]	10

### Application

Function principle	incremental
--------------------	-------------

### Electrical data

Operating voltage [V]	10...30 DC
Current consumption [mA]	150

### Outputs

Electrical design	TTL
Max. current load per output [mA]	20
Switching frequency [kHz]	160
Phase difference A and B [°]	90

### Measuring/setting range

Resolution	9000 resolution
------------	-----------------

# RV6154



## Incremental encoder with solid shaft

RV-9000-I24/S E

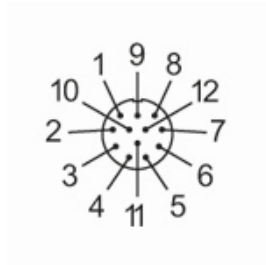
Operating conditions	
Ambient temperature [°C]	-30...85
Max. relative air humidity [%]	98
Protection	IP 67; (on the housing: IP 67; on the shaft: IP 66)
Tests / approvals	
Shock resistance	100 g (6 ms)
Vibration resistance	15 g (55...2000 Hz)
MTTF [years]	190
Mechanical data	
Weight [g]	400
Dimensions [mm]	Ø 58 / L = 75.5
Materials	aluminium
Max. revolution, mechanical [U/min]	12000
Max. starting torque [Nm]	1
Reference temperature torque [°C]	20
Shaft design	solid shaft
Shaft diameter [mm]	10
Shaft material	steel (1.4104)
Max. shaft load axial (at the shaft end) [N]	10
Max. shaft load radial (at the shaft end) [N]	20
Remarks	
Notes	discontinued article
Electrical connection	
1	B inverted
2	L+ sensor
3	0 index
4	0 index inverted
5	A
6	A inverted
7	failure inverted
8	B
9	n.c.
10	0 V (Un)
11	0V sensor
12	L+ (Up)
Screen	housing
Connector: 1 x M23 (ifm 1001.4), radial	

# RV6154



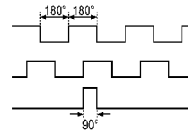
## Incremental encoder with solid shaft

RV-9000-I24/S E



### Diagrams and graphs

Pulse diagram



Output A

Output B

0 index

Article no longer available - archive entry

Discontinuation date: 31.03.2016