

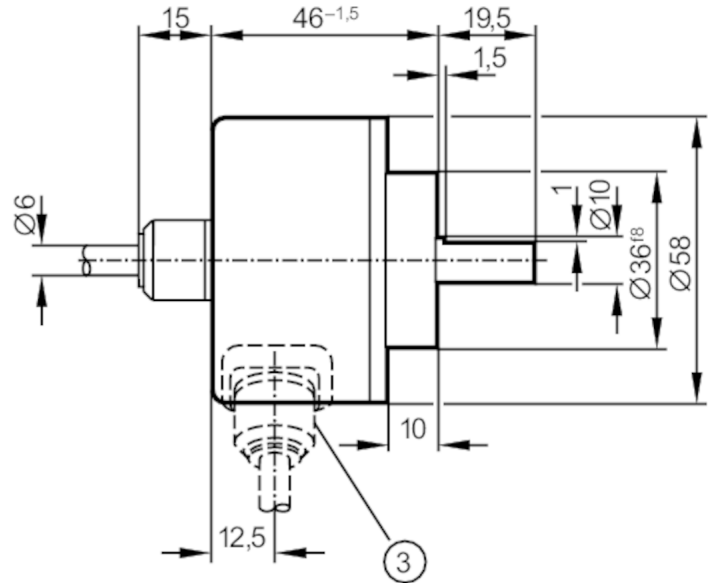
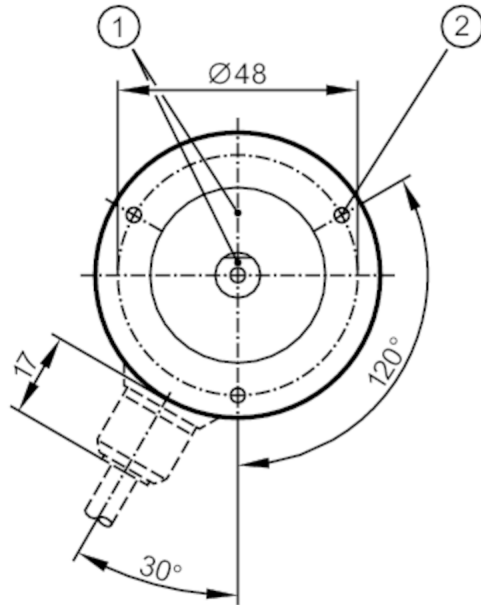
RV1015



Incremental encoder with solid shaft

RV-0420-I05/L2

Article no longer available - archive entry



- 1 reference mark
- 2 M3 Depth 5 mm



Product characteristics

Resolution	420 resolution
------------	----------------

Electrical data

Operating voltage tolerance	[%]	10
Operating voltage	[V]	5 DC
Current consumption	[mA]	150

Outputs

Electrical design	TTL	
Max. current load per output	[mA]	20
Switching frequency	[kHz]	300
Phase difference A and B	[°]	90

Measuring/setting range

Resolution	420 resolution
------------	----------------

Operating conditions

Ambient temperature	[°C]	-30...100
Note on ambient temperature		for firmly laid cable: -30 °C
Storage temperature	[°C]	-30...100
Max. relative air humidity	[%]	98
Protection		IP 64

Tests / approvals

Shock resistance	100 g (6 ms)
Vibration resistance	10 g (55...2000 Hz)

RV1015



Incremental encoder with solid shaft

RV-0420-105/L2

Mechanical data		
Dimensions	[mm]	Ø 58 / L = 46
Materials		aluminium
Max. revolution, mechanical	[U/min]	12000
Max. starting torque	[Nm]	1
Reference temperature torque	[°C]	20
Shaft design		solid shaft
Shaft diameter	[mm]	10
Shaft material		steel (1.4104)
Max. shaft load axial (at the shaft end)	[N]	10
Max. shaft load radial (at the shaft end)	[N]	20

Electrical connection	
Cable: 2 m, PUR; axial	
brown	A
green	A inverted
grey	B
pink	B inverted
red	0 index
black	0 index inverted
blue	L+ sensor
white	0V sensor
brown/green	L+ (Up)
white/green	0V (Un)
lilac	failure inverted
screen	housing

Diagrams and graphs	
Pulse diagram	<p>Output A Output B 0 index</p>

Article no longer available - archive entry