

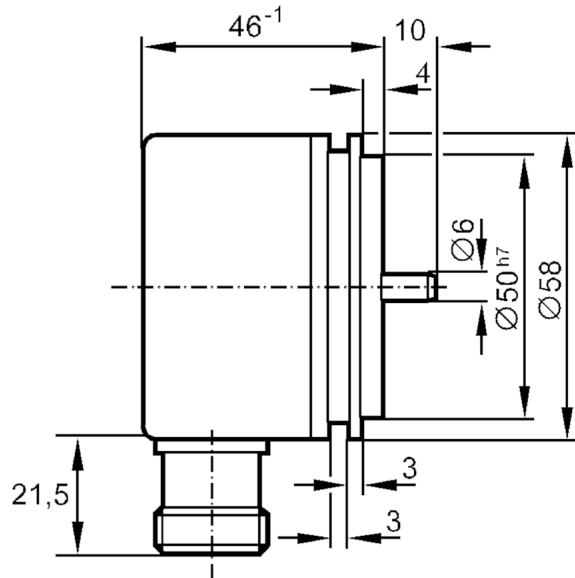
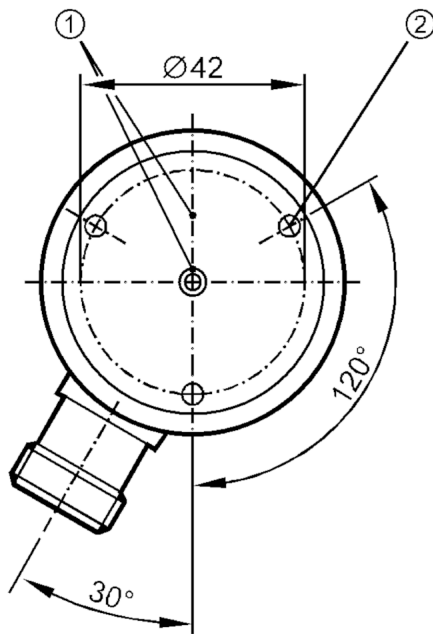
# RU1081



## Incremental encoder with solid shaft

RU-0360-I05/K

Article no longer available - archive entry



- 1 reference mark  
2 M4 Depth 5 mm



### Product characteristics

Resolution	360 resolution
Shaft design	solid shaft
Shaft diameter [mm]	6

### Electrical data

Operating voltage tolerance [%]	10
Operating voltage [V]	5 DC
Current consumption [mA]	150

### Outputs

Electrical design	TTL
Max. current load per output [mA]	20
Switching frequency [kHz]	300
Phase difference A and B [°]	90

### Measuring/setting range

Resolution	360 resolution
------------	----------------

### Operating conditions

Ambient temperature [°C]	-20...100
Storage temperature [°C]	-30...100
Max. relative air humidity [%]	98
Protection	IP 64



## Incremental encoder with solid shaft

RU-0360-I05/K

### Tests / approvals

Shock resistance		100 g (6 ms)
Vibration resistance		15 g (55...2000 Hz)

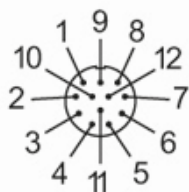
### Mechanical data

Dimensions [mm]		Ø 58 / L = 56
Materials		aluminium
Max. revolution, mechanical [U/min]		12000
Max. starting torque [Nm]		1
Reference temperature torque [°C]		20
Shaft design		solid shaft
Shaft diameter [mm]		6
Shaft material		steel (1.4104)
Max. shaft load axial (at the shaft end) [N]		10
Max. shaft load radial (at the shaft end) [N]		20
Fixing flange		synchro-flange

### Electrical connection

brown	A
green	A inverted
grey	B
pink	B inverted
red	0 index
black	0 index inverted
blue	L+ sensor
white	0V sensor
brown/green	L+ (Up)
white/green	0V (Un)
lilac	failure inverted
screen	housing

Connector: 1 x M23 (ifm 1001.4), radial



# RU1081

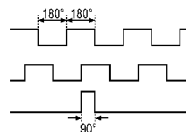


## Incremental encoder with solid shaft

RU-0360-I05/K

### Diagrams and graphs

Pulse diagram



Output A

Output B

0 index

Article no longer available - archive entry