

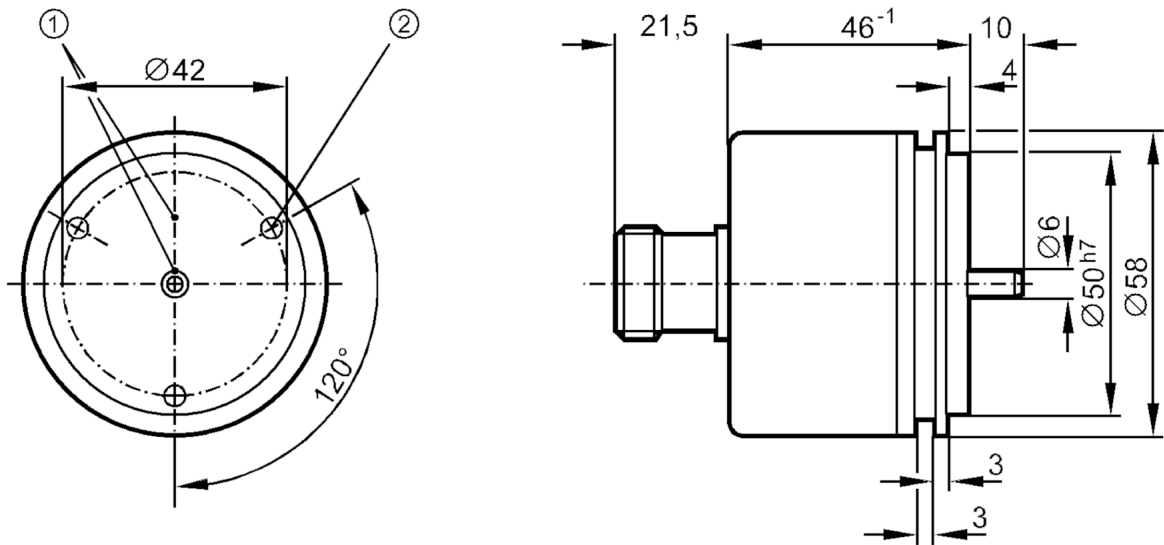
# RU1063



## Incremental encoder with solid shaft

RU-0500-I05/Demo

Article no longer available - archive entry



- 1 reference mark
- 2 M4 Depth 5 mm



### Electrical data

Operating voltage tolerance	[%]	10
Operating voltage	[V]	5 DC
Current consumption	[mA]	150

### Outputs

Electrical design		TTL
Max. current load per output	[mA]	20
Switching frequency	[kHz]	300
Phase difference A und B	[°]	90

### Measuring/setting range

Resolution		2000 resolution
------------	--	-----------------

### Operating conditions

Ambient temperature	[°C]	-20...100
Storage temperature	[°C]	-30...100
Max. relative air humidity	[%]	98
Protection		IP 64

### Tests / approvals

Shock resistance		100 g (6 ms)
Vibration resistance		15 g (55...2000 Hz)

# RU1063



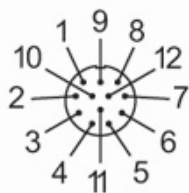
## Incremental encoder with solid shaft

RU-0500-I05/Demo

Mechanical data	
Dimensions [mm]	Ø 58 / L = 77.5
Materials	aluminium
Max. revolution, mechanical [U/min]	12000
Max. starting torque [Nm]	1
Reference temperature torque [°C]	20
Shaft design	solid shaft
Shaft diameter [mm]	6
Shaft material	steel (1.4104)
Max. shaft load axial (at the shaft end) [N]	10
Max. shaft load radial (at the shaft end) [N]	20
Fixing flange	synchro-flange

Electrical connection	
1	B inverted
2	+5V sensor
3	0 index
4	0 index inverted
5	A
6	A inverted
7	failure inverted
8	B
9	n.c.
10	0V
11	0V sensor
12	L+
Screen	housing

Connector: 1 x M23 (ifm 1001.4), axial



# RU1063

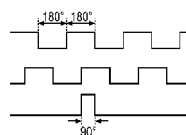


## Incremental encoder with solid shaft

RU-0500-I05/Demo

### Diagrams and graphs

Pulse diagram



Output A

Output B

0 index

[Article no longer available - archive entry](#)