

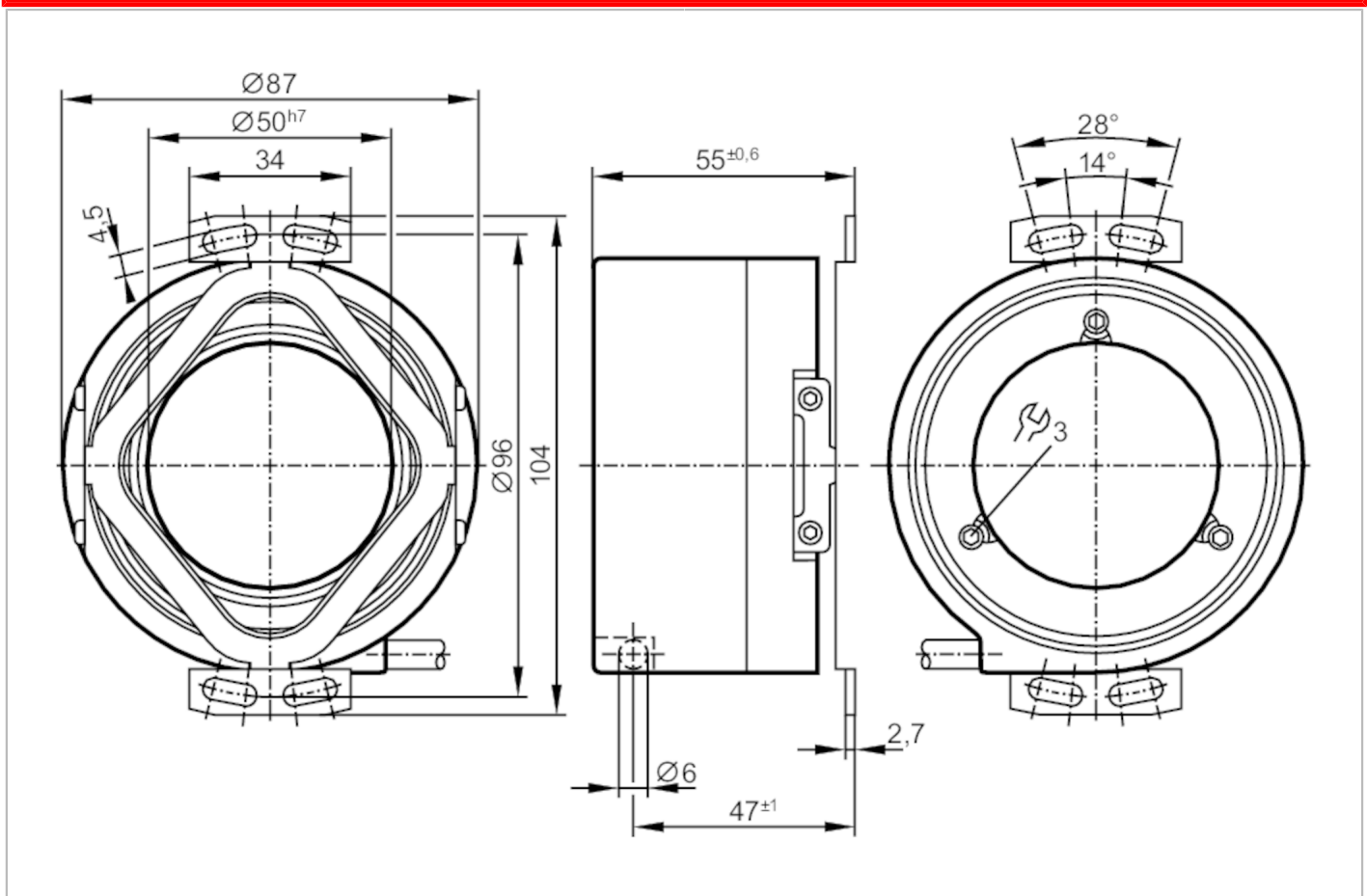
RP6412



Incremental encoder with hollow shaft

RP-2500-I24/N15

Article no longer available - archive entry



Product characteristics	
Resolution	2500 resolution
Shaft design	continuous hollow shaft
Shaft diameter [mm]	50
Application	
Function principle	incremental
Electrical data	
Operating voltage [V]	10...30 DC
Current consumption [mA]	< 150
Outputs	
Electrical design	HTL
Max. current load per output [mA]	50
Switching frequency [kHz]	300
Short-circuit protection	yes
Type of short-circuit protection	< 60 s
Phase difference A and B [°]	90

RP6412



Incremental encoder with hollow shaft

RP-2500-I24/N15

Measuring/setting range	
Resolution	2500 resolution
Operating conditions	
Ambient temperature [°C]	-30...65
Note on ambient temperature	higher temperature upon request for the diagram see the installation instructions
Max. relative air humidity [%]	75; (briefly: 95 %; condensation not permissible)
Protection	IP 64
Tests / approvals	
Shock resistance	100 g (6 ms)
Vibration resistance	10 g (55...2000 Hz)
MTTF [years]	57
Mechanical data	
Weight [g]	1300
Dimensions [mm]	Ø 87 / L = 55
Materials	aluminium
Max. revolution, mechanical [U/min]	4000
Max. starting torque [Nm]	20
Reference temperature torque [°C]	20
Shaft design	continuous hollow shaft
Shaft diameter [mm]	50
Shaft fit	H7
Shaft material	steel (1.4104)
Max. axial shaft misalignment [mm]	1,5; (Only to compensate for installation tolerances and thermal expansion.; No dynamic movement allowed.)
Electrical connection	
Cable: 1 m, PUR; radial	
brown	A
green	A inverted
grey	B
pink	B inverted
red	0 index
black	0 index inverted
blue	10...30V sensor
white	0V sensor
brown/green	10...30V (Up)
white/green	0V (Un)
lilac	failure inverted
screen	housing

RP6412

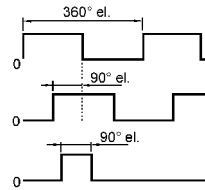


Incremental encoder with hollow shaft

RP-2500-I24/N15

Diagrams and graphs

Pulse diagram



Output A

Output B

0 index

Article no longer available - archive entry