

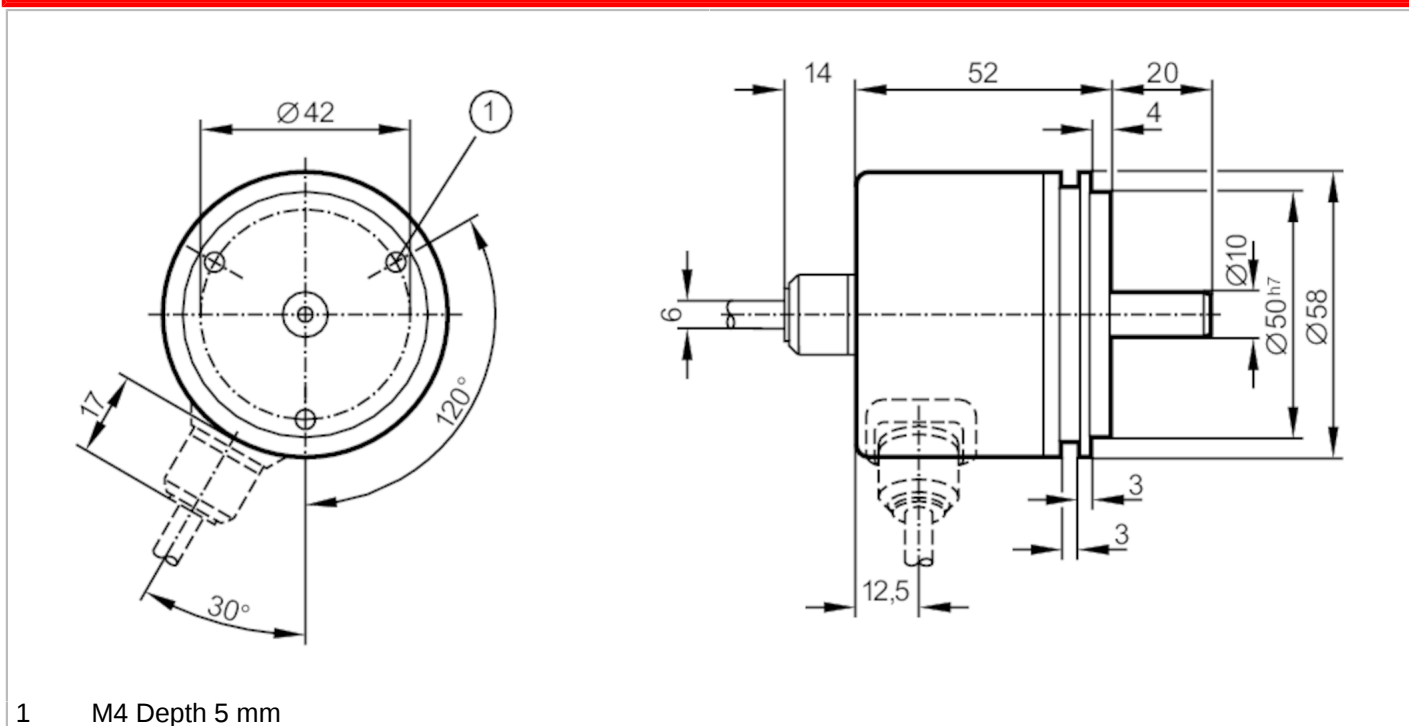
RN1024



Absolute singleturn encoder with solid shaft

RN-4096-G05/L1B

Article no longer available - archive entry



1 M4 Depth 5 mm



Product characteristics	
Resolution	4096 resolution; 4096 steps; 12 bit
Shaft design	solid shaft
Shaft diameter [mm]	10
Electrical data	
Operating voltage tolerance [%]	10
Operating voltage [V]	5 DC
Current consumption [mA]	< 250
Max. revolution electrical [U/min]	3000
Outputs	
Electrical design	TTL
Max. current load per output [mA]	20
Code	Gray code; (increasing code values when turned clockwise (seen on the shaft))
Measuring/setting range	
Resolution	4096 resolution; 4096 steps; 12 bit
Operating conditions	
Ambient temperature [°C]	-20...70
Storage temperature [°C]	-30...100
Max. relative air humidity [%]	98
Protection	IP 66

RN1024



Absolute singleturn encoder with solid shaft

RN-4096-G05/L1B

Tests / approvals	
Shock resistance	100 g (6 ms)
Vibration resistance	10 g (55...2000 Hz)
Mechanical data	
Dimensions [mm]	Ø 58 / L = 52
Materials	aluminium
Max. revolution, mechanical [U/min]	10000
Max. starting torque [Nm]	1
Reference temperature torque [°C]	20
Shaft design	solid shaft
Shaft diameter [mm]	10
Shaft material	steel (1.4104)
Max. shaft load axial (at the shaft end) [N]	10
Max. shaft load radial (at the shaft end) [N]	20
Electrical connection	
Cable: 1 m, PUR; Maximum cable length: 100 m; axial	
brown	+5V
yellow/brown	+5V sensor
white	0V
white/yellow	0V sensor
green	release A inverted
yellow	release B inverted
brown/green	bit 12 (MSB)
white/green	bit 11
red/blue	bit 10
grey/pink	bit 9
lilac	bit 8
black	bit 7
red	bit 6
blue	bit 5
pink	bit 4
grey	bit 3
grey/brown	bit 2
white/pink	bit 1 (LSB 4096)
Screen	housing

RN1024

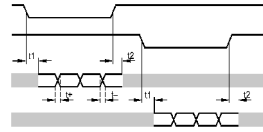


Absolute singleturn encoder with solid shaft

RN-4096-G05/L1B

Diagrams and graphs

Pulse diagram



release A inverted

release B inverted

tracks 1...8

tracks 9...12

Article no longer available - archive entry