

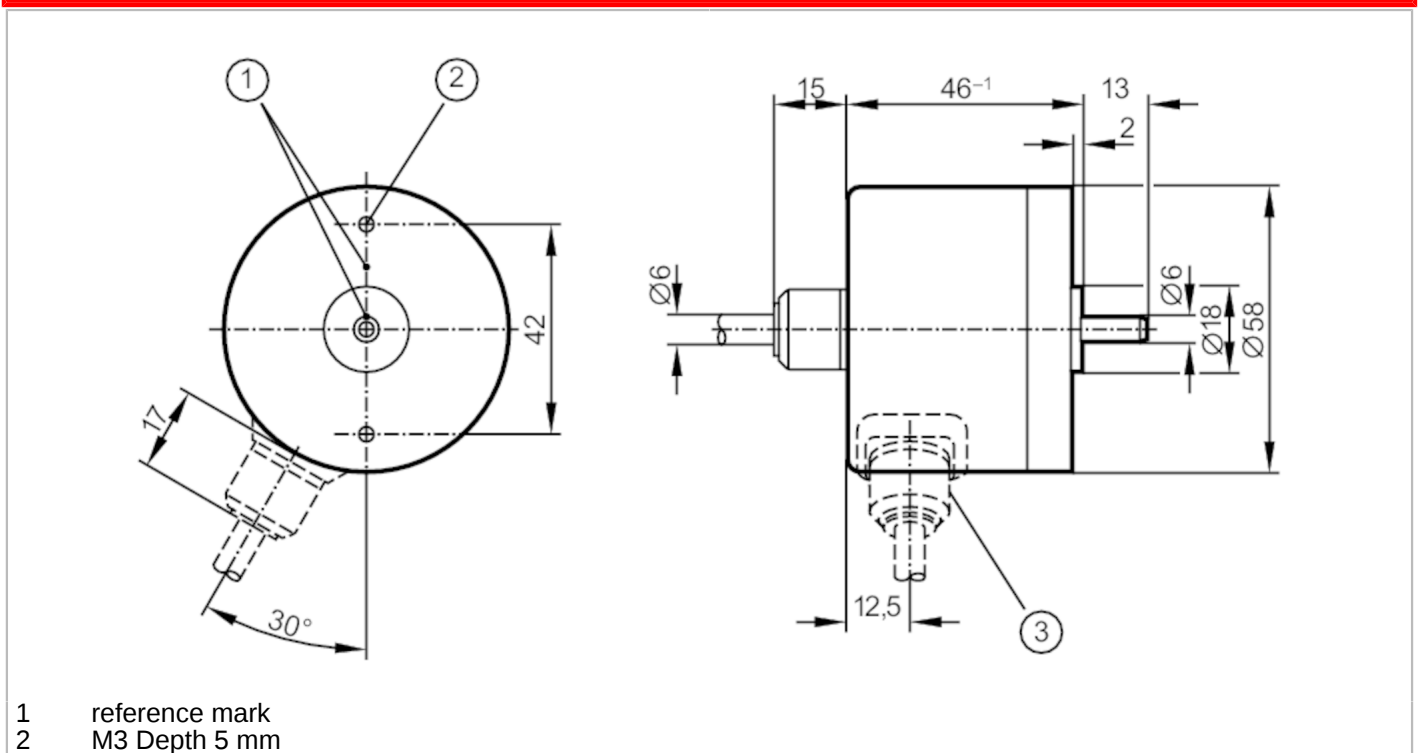
# RC6036



## Incremental encoder with solid shaft

RC-0500-I24/N2

Article no longer available - archive entry



- 1 reference mark
- 2 M3 Depth 5 mm



| Product characteristics           |                |
|-----------------------------------|----------------|
| Resolution                        | 500 resolution |
| Shaft design                      | solid shaft    |
| Shaft diameter [mm]               | 6              |
| Electrical data                   |                |
| Operating voltage [V]             | 10...30 DC     |
| Current consumption [mA]          | 150            |
| Outputs                           |                |
| Electrical design                 | HTL            |
| Max. current load per output [mA] | 50             |
| Switching frequency [kHz]         | 300            |
| Type of short-circuit protection  | < 60 s         |
| Phase difference A and B [°]      | 90             |
| Measuring/setting range           |                |
| Resolution                        | 500 resolution |
| Operating conditions              |                |
| Ambient temperature [°C]          | -20...85       |
| Storage temperature [°C]          | -30...100      |
| Max. relative air humidity [%]    | 98             |
| Protection                        | IP 64          |

# RC6036



## Incremental encoder with solid shaft

RC-0500-I24/N2

| Tests / approvals                             |  |                     |
|---|--|---------------------|
| Shock resistance                              |  | 100 g (6 ms)        |
| Vibration resistance                          |  | 10 g (55...2000 Hz) |
| Mechanical data                               |  |                     |
| Dimensions [mm]                               |  | Ø 58 / L = 46       |
| Materials                                     |  | aluminium           |
| Max. revolution, mechanical [U/min]           |  | 12000               |
| Max. starting torque [Nm]                     |  | 1                   |
| Reference temperature torque [°C]             |  | 20                  |
| Shaft design                                  |  | solid shaft         |
| Shaft diameter [mm]                           |  | 6                   |
| Shaft material                                |  | steel (1.4104)      |
| Max. shaft load axial (at the shaft end) [N]  |  | 10                  |
| Max. shaft load radial (at the shaft end) [N] |  | 20                  |

### Electrical connection

Cable: 2 m, PUR; radial

|             |                  |
|-------------|------------------|
| brown       | A                |
| green       | A inverted       |
| grey        | B                |
| pink        | B inverted       |
| red         | 0 index          |
| black       | 0 index inverted |
| blue        | L+ sensor        |
| white       | 0V sensor        |
| brown/green | L+ (Up)          |
| white/green | 0V (Un)          |
| lilac       | failure inverted |
| screen      | housing          |

### Diagrams and graphs

|               |  |
|---------------|--|
| Pulse diagram | <p>Output A<br/>Output B<br/>0 index</p> |
|---------------|--|

Article no longer available - archive entry