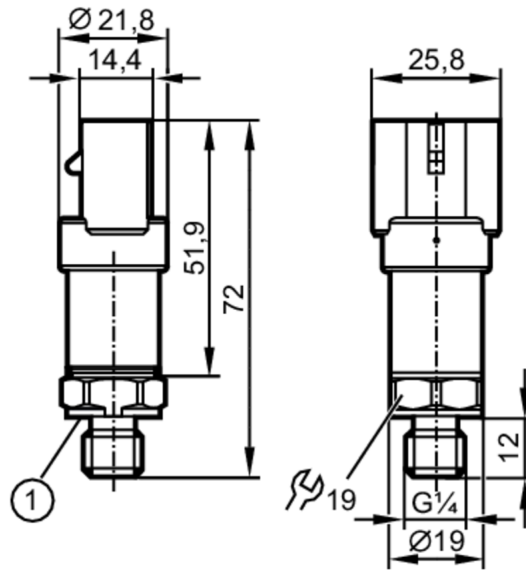


PT5604



Pressure transmitter

PT-010-SEG14-A-ZVG/AM



1 Sealing



Application

Application	for mobile applications
Media	liquids and gases
Medium temperature [°C]	-40...125
Pressure rating [bar]	25
Note on pressure rating	static
Min. bursting pressure [bar]	300
Vacuum resistance [mbar]	-1000
Type of pressure	relative pressure

Electrical data

Operating voltage [V]	8...32 DC
Min. insulation resistance [MΩ]	100; (500 V DC)
Protection class	III
Reverse polarity protection	yes
Power-on delay time [s]	0.1

Inputs / outputs

Number of inputs and outputs	Number of analogue outputs: 1
------------------------------	-------------------------------

Outputs

Total number of outputs	1
Output signal	analogue signal
Number of analogue outputs	1
Analogue current output [mA]	4...20
Max. load [Ω]	(U _b - 8 V) / 20 mA
Short-circuit proof	yes
Overload protection	yes

PT5604



Pressure transmitter

PT-010-SEG14-A-ZVG/AM

Measuring/setting range		
Measuring range [bar]	0...10	
Accuracy / deviations		
Repeatability [% of the span]	< ± 0,05; (with temperature fluctuations < 10 K)	
Characteristics deviation [% of the span]	< ± 0,8; (incl. drift when overtightened, zero point and span error, non-linearity, hysteresis)	
Linearity deviation [% of the span]	< ± 0,25 (BFSL) / < ± 0,5 (LS)	
Hysteresis deviation [% of the span]	< ± 0,2	
Long-term stability [% of the span]	< ± 0,1; (per 6 months)	
Temperature coefficient zero point [% of the span / 10 K]	< ± 0,1 (0...80 °C); < ± 0,2 (-40...0 °C / 80...125 °C)	
Temperature coefficient span [% of the span / 10 K]	< ± 0,1 (0...80 °C); < ± 0,2 (-40...0 °C / 80...125 °C)	
Response times		
Step response time analogue output [ms]	2	
Operating conditions		
Ambient temperature [°C]	-40...100	
Storage temperature [°C]	-40...100	
Protection	IP 67; IP 69K	
Tests / approvals		
EMC	conforms to UN ECE 10 rev. 4	(e1 compliant)
	ISO 11452-2	100 V/m
	DIN EN 61326-1	
Shock resistance	DIN EN 60068-2-27	500 g (1 ms)
Vibration resistance	DIN EN 60068-2-6	20 g (10...2000 Hz)
MTTF [years]	700	
Pressure Equipment Directive	Sound Engineering Practice; can be used for group 2 fluids; group 1 fluids on request	
Mechanical data		
Weight [g]	63	
Materials	1.4542 (17-4 PH / 630); stainless steel (1.4404 / 316L); PPS	
Materials (wetted parts)	1.4542 (17-4 PH / 630)	
Min. pressure cycles	60 million; (at 1.2 times nominal pressure)	
Tightening torque [Nm]	25...35; (recommended tightening torque; depends on lubrication, seal and pressure rating)	
Process connection	threaded connection G 1/4 external thread (DIN EN ISO 1179-2)	
Process connection sealing	HNBR (to DIN 3869)	
Restrictor element integrated	yes	
Remarks		
Remarks	BFSL = Best Fit Straight Line LS = limit value setting	
Pack quantity	1 pcs.	

PT5604



Pressure transmitter

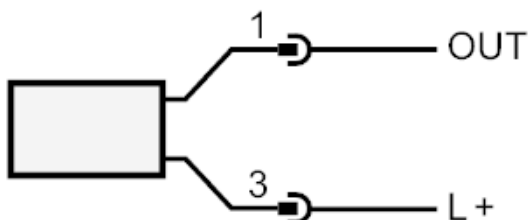
PT-010-SEG14-A-ZVG/AM

Electrical connection

Connector: 1 x AMP-Superseal; Maximum cable length: 30 m



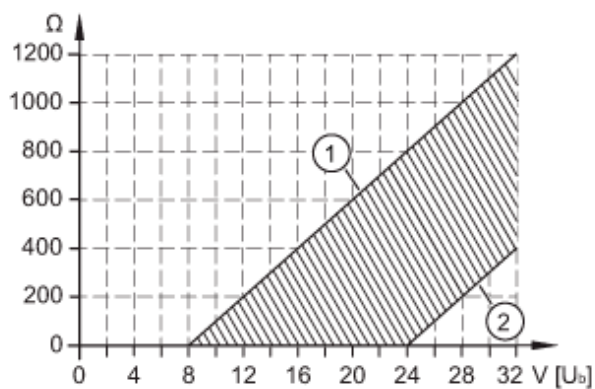
Connection



OUT analogue output

Diagrams and graphs

characteristic load curve of current output



1: Max. load

2: min. load