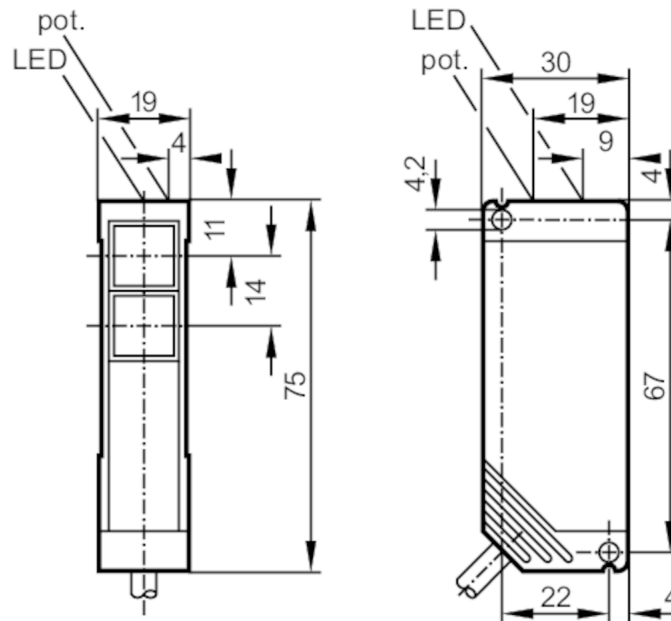




Through-beam sensor receiver

OPE-FPKG/24V/6M

Article no longer available - archive entry



1 potentiometer receiver in lower lens

Application

Function principle Through-beam sensor

Electrical data

Operating voltage [V]	18...36 DC
Current consumption [mA]	30; ((24 V))
Protection class	II
Reverse polarity protection	yes

Outputs

Electrical design	PNP
Output function	light-on/dark-on mode; (parameterisable)
Max. voltage drop switching output DC [V]	2.5
Permanent current rating of switching output DC [mA]	100
Switching frequency DC [Hz]	100
Short-circuit protection	yes
Type of short-circuit protection	pulsed
Overload protection	yes

Detection zone

Transmitter / receiver	receiver
Range [m]	< 10
Range adjustable	yes

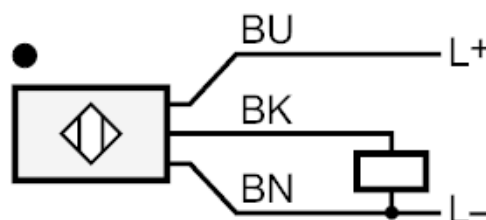
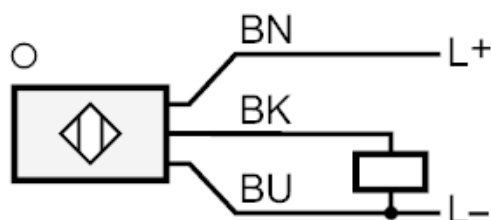
OT5032



Through-beam sensor receiver

OTE-FPKG/24V/6M

Operating conditions		
Ambient temperature	[°C]	-10...50
Protection		IP 67
Tests / approvals		
EMC	EN 60947-5-2	
	EN 55011	class B
Mechanical data		
Housing		rectangular
Dimensions	[mm]	75 x 19 x 30
Materials		PBT
Lens material		PMMA
Displays / operating elements		
Display	switching status	1 x LED, yellow
	operation	1 x LED, green
Remarks		
Pack quantity		1 pcs.
Electrical connection		
Cable: 6 m, PVC; 3 x 0.34 mm ²		
Connection		



Core colours :

BN = brown
BU = blue
BK = black

Article no longer available - archive entry