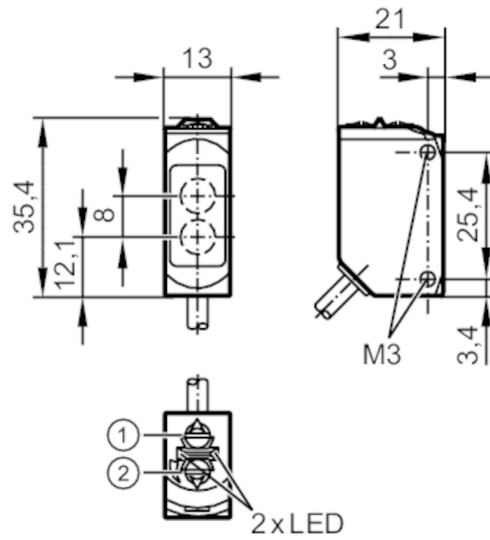


O6T217



Diffuse reflection sensor

O6TIFNKG



- 1: output function switch
- 2: potentiometer sensitivity
- receiver in upper lens
- transmitter in lower lens



Application	
Function principle	Diffuse reflection sensor
Electrical data	
Operating voltage [V]	10...30 DC
Current consumption [mA]	16; ((24 V))
Protection class	III
Reverse polarity protection	yes
Type of light	infrared light
Wave length [nm]	850
Outputs	
Electrical design	NPN
Output function	light-on/dark-on mode; (selectable)
Max. voltage drop switching output DC [V]	2.5
Permanent current rating of switching output DC [mA]	100
Switching frequency DC [Hz]	1000
Short-circuit protection	yes
Type of short-circuit protection	pulsed

O6T217



Diffuse reflection sensor

O6TIFNKG

Detection zone		
Range	[mm]	5...600; (white paper 200 x 200 mm 90 % remission)
Range adjustable		yes
Max. light spot diameter	[mm]	24
Light spot dimensions refer to		at maximum range
Monitoring range final value	[mm]	100...600
Operating conditions		
Ambient temperature	[°C]	-25...60
Protection		IP 65; IP 67
Tests / approvals		
EMC		EN 60947-5-2
Mechanical data		
Weight	[g]	60
Housing		rectangular
Dimensions	[mm]	35.4 x 13 x 21
Materials		housing: ABS; PPSU; connector thread: metal coated; Sealing: EPDM
Lens material		PMMA
Lens alignment		side lens
Tightening torque	[Nm]	0.5
Displays / operating elements		
Display	switching status	1 x LED, yellow
	operation	1 x LED, green
Remarks		
Pack quantity		1 pcs.

O6T217



Diffuse reflection sensor

O6TIFNKG

Electrical connection

Cable: 2 m, PUR; 3 x 0.25 mm²

Connection



Core colours :

BK = black
BN = brown
BU = blue

Diagrams and graphs

excess gain graph

