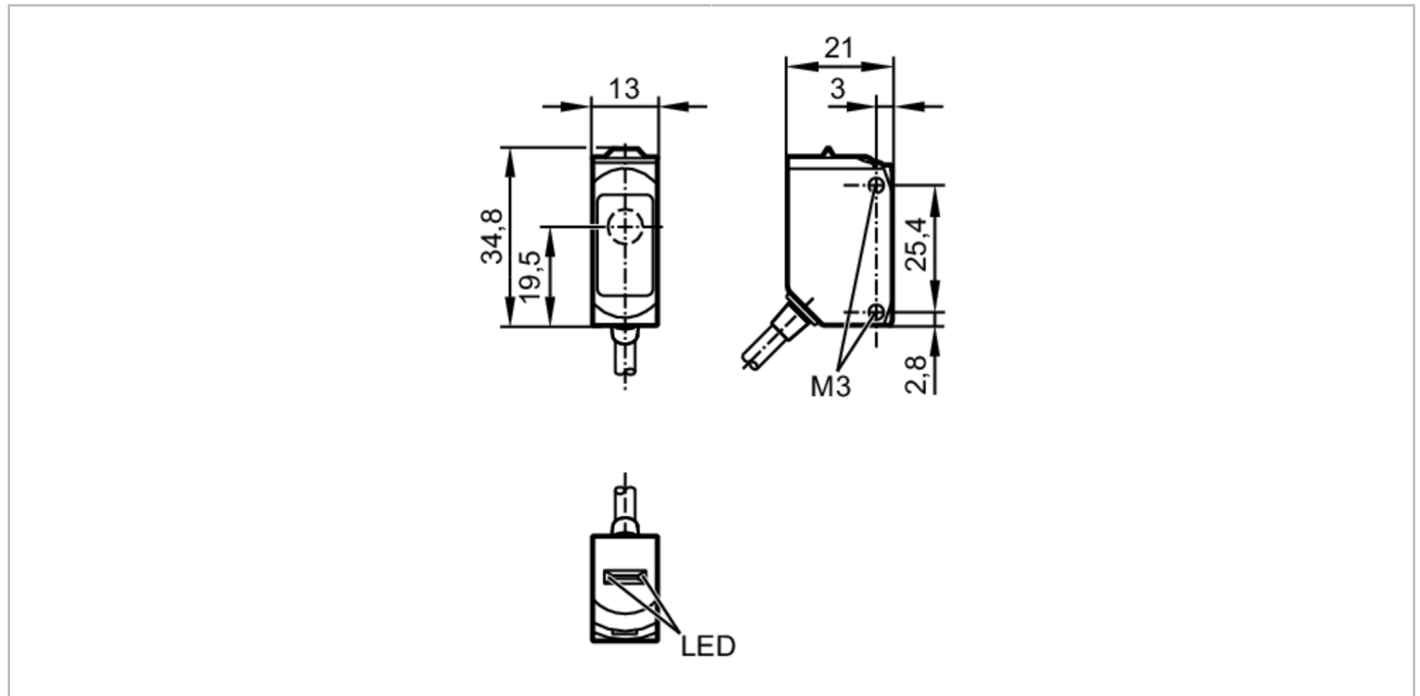


# O6S300



## Through-beam sensor transmitter

O6S-00KG



Product characteristics	
Type of light	red light
Housing	rectangular
Application	
Function principle	Through-beam sensor
Electrical data	
Operating voltage [V]	10...30 DC
Current consumption [mA]	11; ((24 V))
Protection class	III
Type of light	red light
Wave length [nm]	633
Detection zone	
Transmitter / receiver	transmitter
Range [m]	< 10
Max. light spot diameter [mm]	300
Light spot dimensions refer to	at maximum range
Operating conditions	
Ambient temperature [°C]	-25...80
Protection	IP 65; IP 67; IP 68; IP 69K
Tests / approvals	
EMC	EN 60947-5-2
MTTF [years]	2600
UL approval	UL Approval no. E004

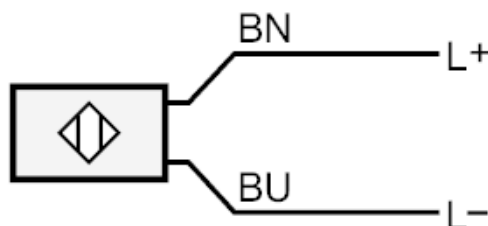
# O6S300



## Through-beam sensor transmitter

O6S-00KG

Mechanical data		
Weight	[g]	76.4
Housing		rectangular
Materials		housing: stainless steel (1.4404 / 316L); plastics: PPSU; Sealing: EPDM
Lens material		PMMA
Lens alignment		side lens
Displays / operating elements		
Display	operation	1 x LED, green
Remarks		
Remarks		operating voltage "supply class 2" according to cULus
Pack quantity		1 pcs.
Electrical connection		
Cable: 2 m, PVC; 2 x 0.25 mm <sup>2</sup>		
Connection		



Core colours :

BN = brown  
BU = blue

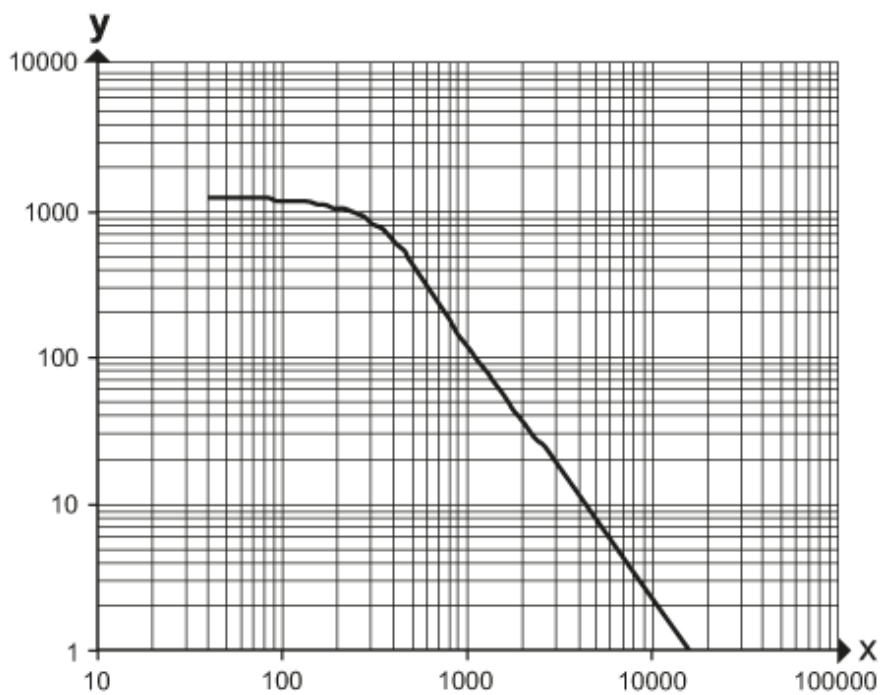


## Through-beam sensor transmitter

O6S-00KG

### Diagrams and graphs

excess gain graph



x: distance [mm]

y: excess gain factor