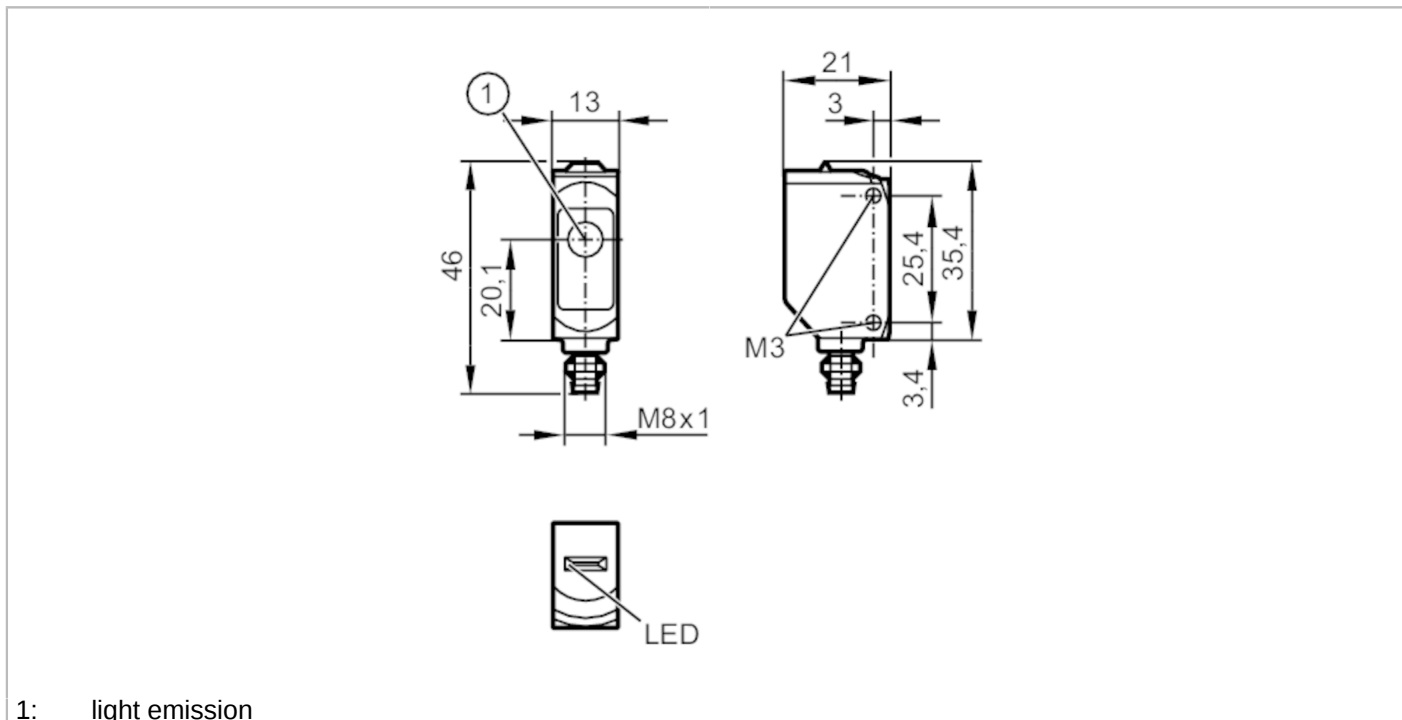


O6S215



Through-beam sensor transmitter

O6SIOOKG/AS/4P



1: light emission



Product characteristics		
Type of light		infrared light
Housing		rectangular
Dimensions	[mm]	35.4 x 13 x 21
Application		
Function principle		Through-beam sensor
Electrical data		
Operating voltage	[V]	10...30 DC
Current consumption	[mA]	11; ((24 V))
Protection class		III
Type of light		infrared light
Wave length	[nm]	850
Detection zone		
Transmitter / receiver		transmitter
Range	[m]	< 15
Max. light spot diameter	[mm]	460
Light spot dimensions refer to		at maximum range
Operating conditions		
Ambient temperature	[°C]	-25...60
Protection		IP 65; IP 67

O6S215



Through-beam sensor transmitter

O6SIOOKG/AS/4P

Tests / approvals

EMC		EN 60947-5-2	
MTTF	[years]		2920
UL approval		UL Approval no.	E002

Mechanical data

Weight	[g]	17.7
Housing		rectangular
Dimensions	[mm]	35.4 x 13 x 21
Materials		housing: ABS; PPSU; connector thread: metal coated; Sealing: EPDM
Lens material		PMMA
Lens alignment		side lens
Material nut		metal, coated
Tightening torque	[Nm]	0.5

Displays / operating elements

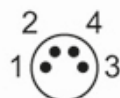
Display	operation	1 x LED, green
---------	-----------	----------------

Remarks

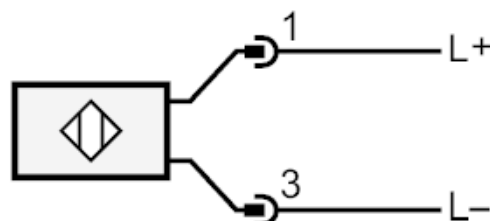
Remarks	operating voltage "supply class 2" according to cULus
Pack quantity	1 pcs.

Electrical connection

Connector: 1 x M8; Locking: metal, coated



Connection





Through-beam sensor transmitter

O6SIOOKG/AS/4P

Diagrams and graphs

excess gain graph

