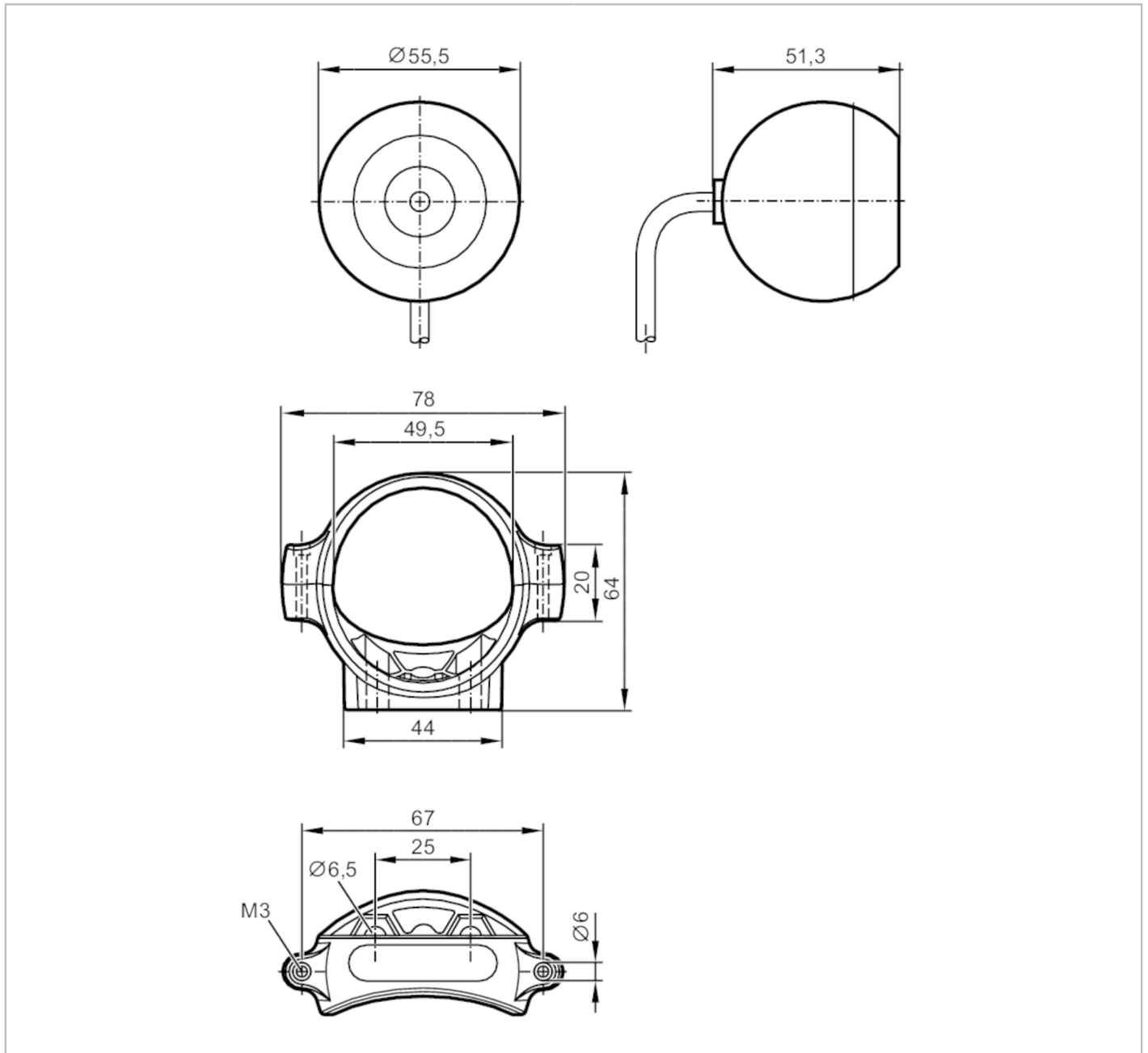


O2M201



Analogue camera for mobile machines

O2MXOOKGIA1/GM178/M



Product characteristics

Image resolution	[px]	640 x 480
Angle of aperture	[°]	80 x 59

Application

Special feature	Screened cable
Application	Integrated mirror function

O2M201



Analogue camera for mobile machines

O2MXOOKG/A1/GM/78/M

Electrical data				
Operating voltage [V]	12...32 DC			
Current consumption [mA]	< 280; (with lens heating)			
Overvoltage protection	yes			
Image sensor	¼" 4:3 VGA CMOS image sensor Color			
Switch-on peak current [mA]	1000			
Switch-on peak current duration [ms]	2			
Outputs				
Video output	PAL (25 fps interlace) 720H x 576V (640 x 480), 1 Vtt / 75 Ω			
Detection zone				
Field of view size [mm]	Operating distance	field of view		
	1000	1680 x 1130		
	2000	3360 x 2260		
	3000	5030 x 3390		
	4000	6710 x 4530		
5000	8390 x 5660			
Image resolution [px]	640 x 480			
Angle of aperture [°]	80 x 59			
Light sensitivity [LUX]	< 0.05			
Dynamic range [dB]	> 80			
Operating conditions				
Ambient temperature [°C]	-40...85			
Storage temperature [°C]	-40...100			
Protection	IP 67; IP 69K			
Tests / approvals				
EMC	DIN EN 61000-6-4	industrial environments		
	DIN EN 61000-6-2	industrial environments		
Shock resistance	UN-ECE R10			
		50 g		
Vibration resistance	Frequency range 24...2000 Hz	(15.3 x 9.81 m/s ²)rms		
	PSD (g ² /Hz)	0.04...0.1		
Salt spray test	IEC 60068-5-52			
Mechanical data				
Weight [g]	313			
Dimensions [mm]	Ø 55.5 / L = 51.3			
Materials	housing: PC/ABS; front lens: polyamide glass fibre reinforced			
Accessories				
Items supplied	Mounting set., E2M210			
	screws: 2 x M6 x 20			
	washers			
	Nuts: 2 x M6, self-locking			
	anti-slide pad			
Remarks				
Pack quantity	1 pcs.			

O2M201



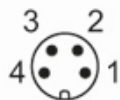
Analogue camera for mobile machines

O2MXOOKG/A1/GM/78/M

Electrical connection

Cable: 0.5 m

Connector: 1 x M16; coding: A; Shielded connection cable: true



1	coax cable core video signal
2	coax screen video GND
3	U+
4	0 V