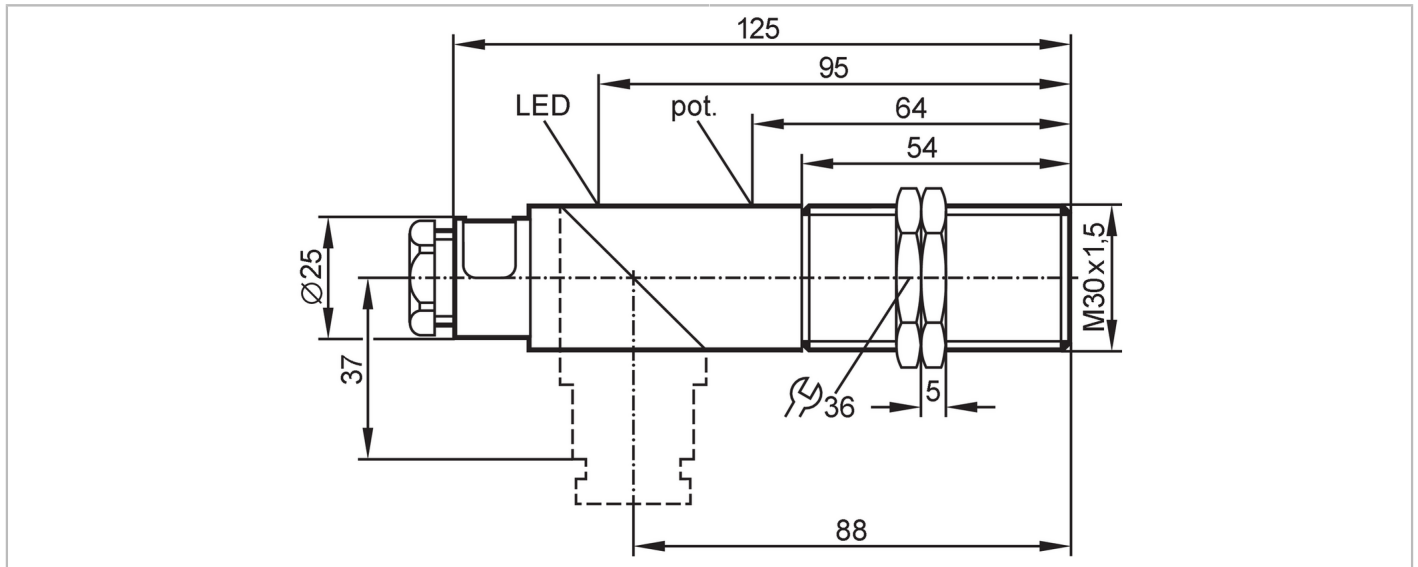


KI0024



Capacitive sensor

KIE2015-FBOA/NI



Product characteristics	
Output function	normally open / normally closed; (selectable)
Sensing range [mm]	15
Housing	threaded type
Dimensions [mm]	M30 x 1.5 / L = 125
Electrical data	
Operating voltage [V]	20...250 AC/DC
Protection class	II
Reverse polarity protection	no
Outputs	
Output function	normally open / normally closed; (selectable)
Max. voltage drop switching output DC [V]	8
Max. voltage drop switching output AC [V]	10
Minimum load current [mA]	5
Max. leakage current [mA]	2.5 (250 V AC) / 1.7 (110 V AC) / 1.5 (24 V DC)
Permanent current rating of switching output AC [mA]	200; (for UL application: 250 / 100 DC)
Permanent current rating of switching output DC [mA]	200; (for UL application: 250 AC / 100 DC)
Short-time current rating of switching output [mA]	1500; (20 ms / 0,5 Hz)
Switching frequency AC [Hz]	25
Switching frequency DC [Hz]	40
Short-circuit proof	no
Overload protection	no
Detection zone	
Sensing range [mm]	15

KI0024



Capacitive sensor

KIE2015-FBOA/NI

Sensing range adjustable	yes
Factory setting sensing range [mm]	15
Real sensing range Sr [mm]	15 ± 10 %
Operating distance [mm]	0...12.1
Accuracy / deviations	
Correction factor	glass: 0.4 / water: 1 / ceramics: 0.2 / PVC: 0.2
Hysteresis [% of Sr]	1...15
Switch point drift [% of Sr]	-15...15
Operating conditions	
Ambient temperature [°C]	-25...70
Protection	IP 65
Increased immunity	yes; (increased immunity to conducted radio frequency interference)
Tests / approvals	
EMC	EN 60947-5-2
MTTF [years]	468
Mechanical data	
Weight [g]	137
Housing	threaded type
Mounting	non-flush mountable
Dimensions [mm]	M30 x 1.5 / L = 125
Thread designation	M30 x 1.5
Materials	housing: PBT; bevelled housing part: PC
Displays / operating elements	
Display	switching status 1 x LED, yellow
Electrical connection	
Required protection	miniature fuse to IEC60127-2 sheet 1; ≤ 2 A; fast acting
Accessories	
Items supplied	lock nuts: 2
Remarks	
Remarks	Recommendation: Check the safe functioning of the unit after a short circuit.
Pack quantity	1 pcs.

KI0024



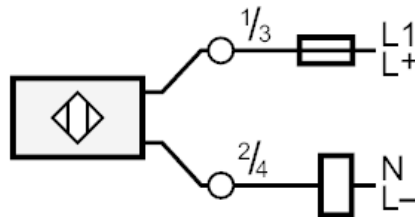
Capacitive sensor

KIE2015-FBOA/NI

Electrical connection

terminals: ...2.5 mm²; Cable sheath: Ø 7...13 mm; Cable gland: M20 X 1.5

Connection



Note miniature fuse to IEC60127-2 sheet 1 \leq 2 A fast acting